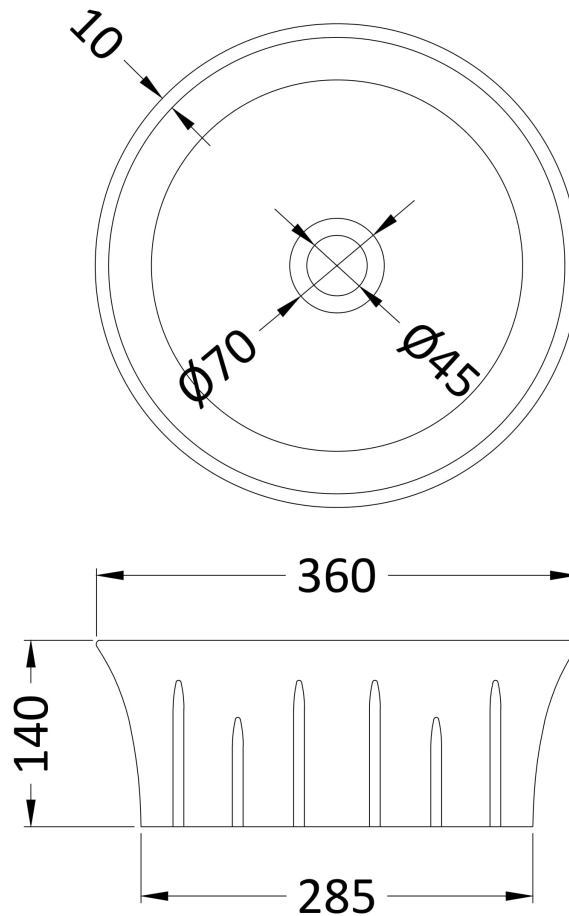


Sales Code: NBV167

Description: Round Basin W358xd368xh137



### Product Dimensions

|                   |     |
|-------------------|-----|
| Height (mm):      | 140 |
| Width (mm):       | 360 |
| Depth (mm):       | 360 |
| Nett Weight (kg): | 5.8 |

### Packaging Dimensions

|                    |     |
|--------------------|-----|
| Height (mm):       | 150 |
| Width (mm):        | 375 |
| Depth (mm):        | 375 |
| Gross Weight (kg): | 6   |

### Packaging Data

|               |                     |
|---------------|---------------------|
| Box Colour:   | Brown Cardboard Box |
| Box Qty:      | 1                   |
| Label Size:   | 100 x 50            |
| Label Colour: | White Label         |
| Label Qty:    | 2                   |

### Outer Box Dimensions (If Applicable)

|                    |               |
|--------------------|---------------|
| Height (mm):       |               |
| Width (mm):        |               |
| Depth (mm):        |               |
| Gross Weight (kg): |               |
| Barcode:           | 5056211851530 |

### Product Details

|                           |                |
|---------------------------|----------------|
| Country of Origin:        | China          |
| Fitting Instruction:      | No             |
| Certification: CE & UKCA: | WRAS: WRAS No: |
| Product Material:         | Vitreous China |
| Fixing Supplied:          | No             |

**Pans/Bidets:** Trap Style: N/A Includes Seat: Not Applicable

**Seats:** Seat Type: N/A Material: Not Applicable  
 Function: Not Applicable Hinge Type: Not Applicable  
 Hinge Material: Not Applicable

**Cisterns:** Operating Type: Not Applicable Fittings: Not Applicable  
 Lever Type: N/A

**Basins:** Tap Hole: No Tapholes Chain Stay Hole: No  
 Template: Not Required Waste Type Req: Unslotted  
 Overflow Inc: No Overflow Cover: No  
 Inner Bowl Depth (mm):