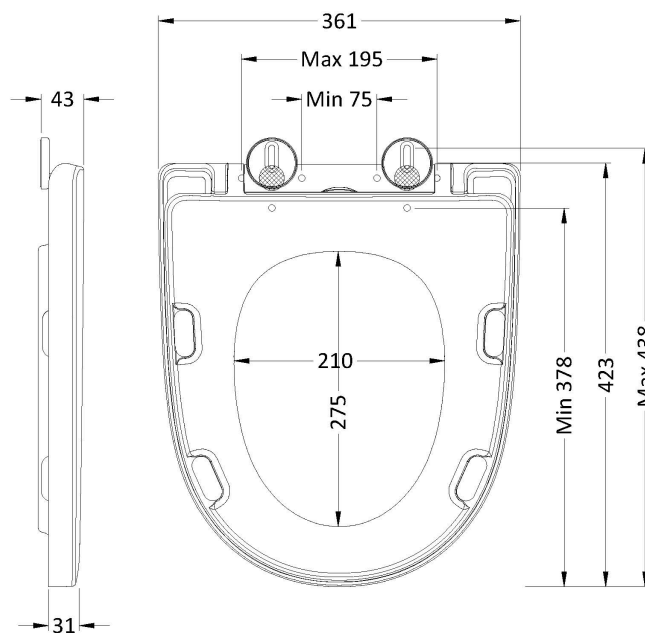


Sales Code: NCG399

Description: Round Wrapover S/C Toilet Seat (Urea)



Product Dimensions

Length (mm):	
Width (mm):	352
Height (mm):	46
Nett Weight (kg):	2.3

Packaging Dimensions

Length (mm):	450
Width (mm):	365
Height (mm):	52
Gross Weight (kg):	2.5

Packaging Data

Box Colour:	White Cardboard Box
Box Qty:	1
Label Size:	100 x 50
Label Colour:	Not Applicable
Label Qty:	1

Outer Box Dimensions (If Applicable)

Length (mm):	
Width (mm):	
Height (mm):	
Gross Weight (kg):	24
Barcode:	5056462643045

Product Details

Country of Origin:	China
Fitting Instruction:	No
CE & UKCA:	Not Applicable
Product Material:	Urea
Seat Type:	Round
Seat Function:	Soft Close
Hinge Centres (Min):	
Hinge Centres (Max):	
Hinge Material:	Stainless Steel Nylon
Colour/Finish:	White
Fixing Method:	Top Fix