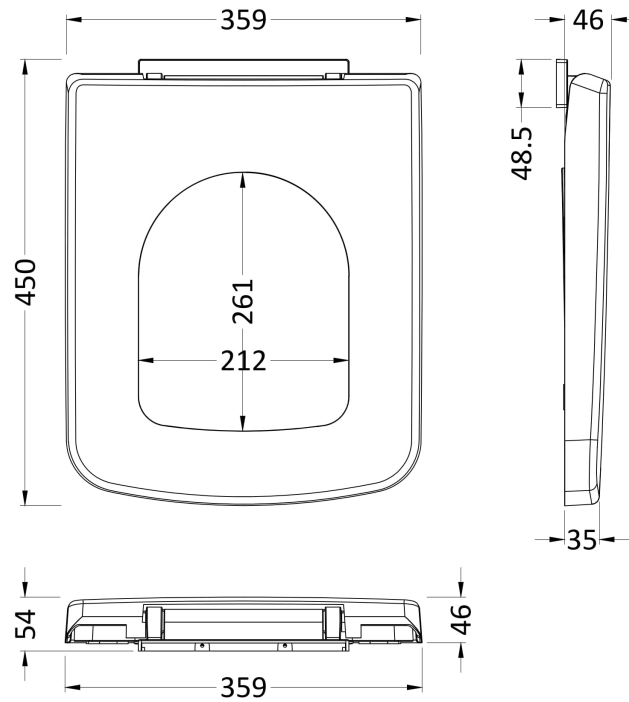


Sales Code: NCH196

Description: Standard Square Seat, Sc, Top Fix



Product Dimensions

| | |
|-------------------|------|
| Length (mm): | 450 |
| Width (mm): | 359 |
| Height (mm): | 54 |
| Nett Weight (kg): | 2.54 |

Packaging Dimensions

| | |
|--------------------|-----|
| Length (mm): | 460 |
| Width (mm): | 380 |
| Height (mm): | 60 |
| Gross Weight (kg): | 2.8 |

Packaging Data

| | |
|---------------|-------------------------------|
| Box Colour: | White Cardboard Box - Printed |
| Box Qty: | 1 |
| Label Size: | 100 x 50 |
| Label Colour: | Not Applicable |
| Label Qty: | |

Outer Box Dimensions (If Applicable)

| | |
|--------------------|---------------|
| Length (mm): | 470 |
| Width (mm): | 280 |
| Height (mm): | 390 |
| Gross Weight (kg): | 14 |
| Barcode: | 5056211803362 |

Product Details

| | |
|----------------------|-----------------------|
| Country of Origin: | China |
| Fitting Instruction: | Yes |
| CE Certification: | Not Applicable |
| Product Material: | Polypropylene |
| Seat Type: | D Shape |
| Seat Function: | Soft Close |
| Hinge Centres (Min): | 123 |
| Hinge Centres (Max): | 165 |
| Hinge Material: | Stainless Steel Nylon |
| Colour/Finish: | White |
| Fixing Method: | Quick Release |