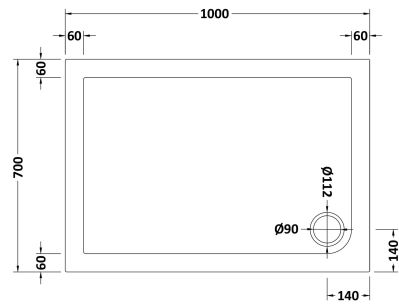


**Sales Code:** NSR021

**Description:** Sr Rectangular Tray 1000X700x40



### Product Dimensions

Length (mm):	1000
Width (mm):	700
Height (mm):	40
Nett Weight (kg):	18.1

### Packaging Dimensions

Length (mm):	1040
Width (mm):	740
Height (mm):	80
Gross Weight (kg):	18.1

### Packaging Data

Box Colour:	Shrinkwrap & Polystyrene
Box Qty:	1
Label Size:	100 x 50
Label Colour:	White Label
Label Qty:	2

### Outer Box Dimensions (If Applicable)

Length (mm):	
Width (mm):	
Height (mm):	
Gross Weight (kg):	
Barcode:	5056211872283

### Product Details

Country of Origin:	United Kingdom
Fitting Instruction:	No
CE Certification:	Yes
Colour/Finish:	White
Product Material:	Acrylic Capped ABS Caco3 & Pu
Material Colour Reference:	European White
Radius:	0
Waste Required (mm):	90
Compatible with Leg Kit:	Yes