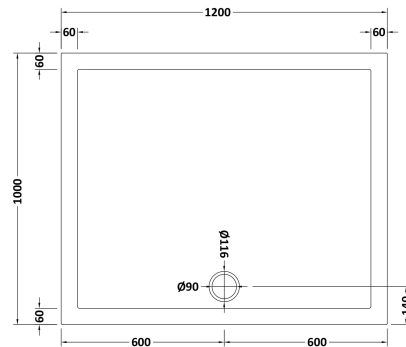


**Sales Code:** NTP025

**Description:** Rectangular Tray 1200 X 1000



### Product Dimensions

Length (mm):	1200
Width (mm):	1000
Height (mm):	35
Nett Weight (kg):	29.9

### Packaging Dimensions

Length (mm):	1240
Width (mm):	1040
Height (mm):	85
Gross Weight (kg):	30

### Packaging Data

Box Colour:	Shrinkwrap & Polystyrene
Box Qty:	1
Label Size:	100 x 50
Label Colour:	White Label
Label Qty:	2

### Outer Box Dimensions (If Applicable)

Length (mm):	
Width (mm):	
Height (mm):	
Gross Weight (kg):	
Barcode:	5056211873334

### Product Details

Country of Origin:	United Kingdom
Fitting Instruction:	No
CE & UKCA:	Yes
Colour/Finish:	White
Product Material:	Acrylic Capped ABS Caco3 & Pu
Material Colour Reference:	European White
Radius:	0
Waste Required (mm):	90
Compatible with Leg Kit:	Yes