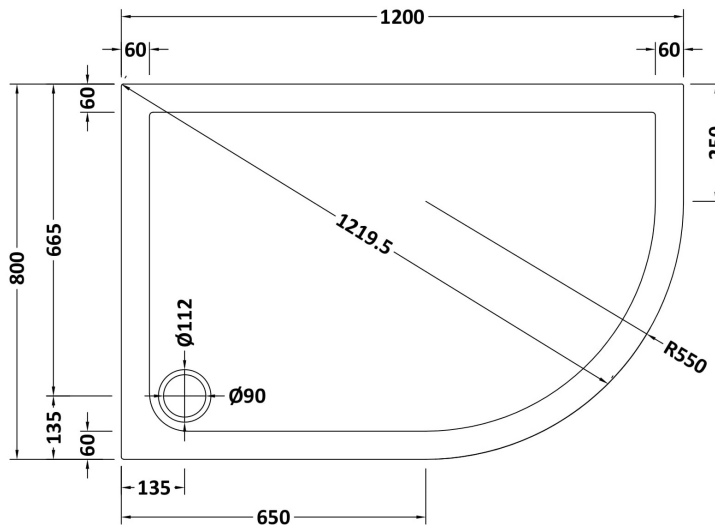


Sales Code: NTP113

Description: Offset Quad Tray Rh 1200 X 800



### Product Dimensions

Length (mm):	1200
Width (mm):	800
Height (mm):	40
Nett Weight (kg):	27.6

### Packaging Dimensions

Length (mm):	1240
Width (mm):	840
Height (mm):	80
Gross Weight (kg):	27.9

### Packaging Data

Box Colour:	Shrinkwrap & Polystyrene
Box Qty:	1
Label Size:	100 x 50
Label Colour:	White Label
Label Qty:	2

### Outer Box Dimensions (If Applicable)

Length (mm):	
Width (mm):	
Height (mm):	
Gross Weight (kg):	
Barcode:	5055369006168

### Product Details

Country of Origin:	United Kingdom
Fitting Instruction:	No
CE & UKCA:	Yes
Colour/Finish:	White
Product Material:	Acrylic Capped ABS Caco3 & Pu
Material Colour Reference:	European White
Radius:	550
Waste Required (mm):	90
Compatible with Leg Kit:	Yes