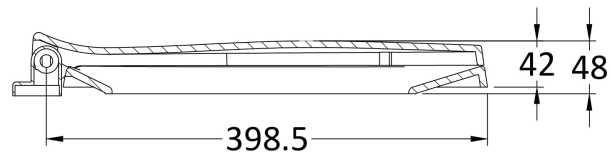
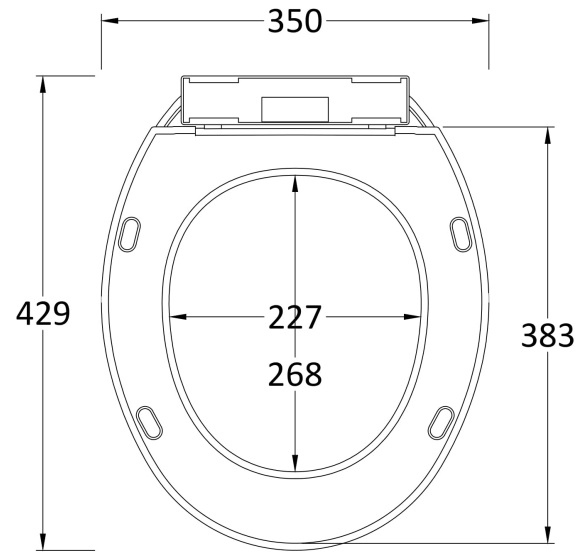


**Sales Code:** NTS010

**Description:** Standard Round Seat, Sc, Bottom Fix



**Product Dimensions**

Length (mm):	429
Width (mm):	350
Height (mm):	48
Nett Weight (kg):	1.4

**Packaging Dimensions**

Length (mm):	440
Width (mm):	350
Height (mm):	70
Gross Weight (kg):	1.42

**Packaging Data**

Box Colour:	White Cardboard Box - Printed
Box Qty:	1
Label Size:	100 x 50
Label Colour:	Not Applicable
Label Qty:	

**Outer Box Dimensions (If Applicable)**

Length (mm):	480
Width (mm):	330
Height (mm):	400
Gross Weight (kg):	14
Barcode:	5055369001446

**Product Details**

Country of Origin:	China
Fitting Instruction:	Yes
CE Certification:	Not Applicable
Product Material:	Polypropylene
Seat Type:	Round
Seat Function:	Soft Close
Hinge Centres (Min):	120
Hinge Centres (Max):	180
Hinge Material:	Polypropylene
Colour/Finish:	White
Fixing Method:	Bottom Fix