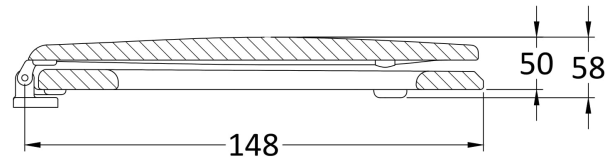
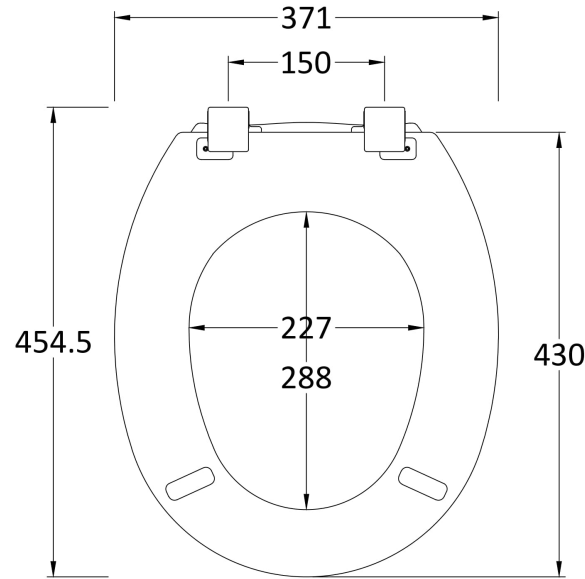


Sales Code: NTS302

Description: Trad Round Toilet Seat Chrome Hinges



Product Dimensions

Length (mm):	455
Width (mm):	371
Height (mm):	58
Nett Weight (kg):	3

Packaging Dimensions

Length (mm):	375
Width (mm):	70
Height (mm):	470
Gross Weight (kg):	3

Packaging Data

Box Colour:	White Cardboard Box - Printed
Box Qty:	1
Label Size:	100 x 50
Label Colour:	White Label
Label Qty:	1

Outer Box Dimensions (If Applicable)

Length (mm):	440
Width (mm):	385
Height (mm):	490
Gross Weight (kg):	20
Barcode:	5012799971053

Product Details

Country of Origin:	United Kingdom
Fitting Instruction:	No
CE Certification:	Yes
Product Material:	Moulded Wood
Seat Type:	Round
Seat Function:	Standard
Hinge Centres (Min):	145
Hinge Centres (Max):	165
Hinge Material:	Zinc Alloy
Colour/Finish:	White
Fixing Method:	Bottom Fix