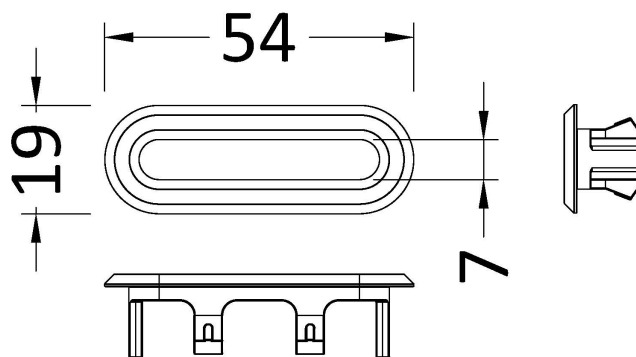
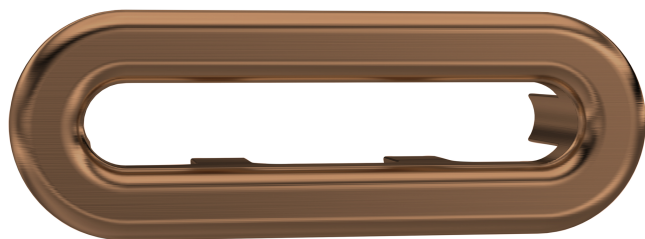


Sales Code: OVFL15U

Description: Oval Overflow Cover



### Product Dimensions

Length (mm):	
Width (mm):	54
Height (mm):	19
Depth (mm):	10
Nett Weight (kg):	0.2

### Packaging Dimensions

Height (mm):	30
Width (mm):	30
Depth (mm):	30
Gross Weight (kg):	0.2

### Packaging Data

Box Colour:	Polybagged
Box Qty:	
Label Size:	x
Label Colour:	
Label Qty:	

### Outer Box Dimensions (If Applicable)

Height (mm):	
Width (mm):	
Length (mm):	
Depth (mm):	
Gross Weight (kg):	
Barcode:	5056678477052

### Product Details

Country of Origin:	China
Fitting Instruction:	No
CE & UKCA:	
Product Material:	ABS
Heating Element Wattage:	Not Applicable
Colour/Finish:	Brushed Bronze
Product Diameter:	
Connection Size:	N/A