

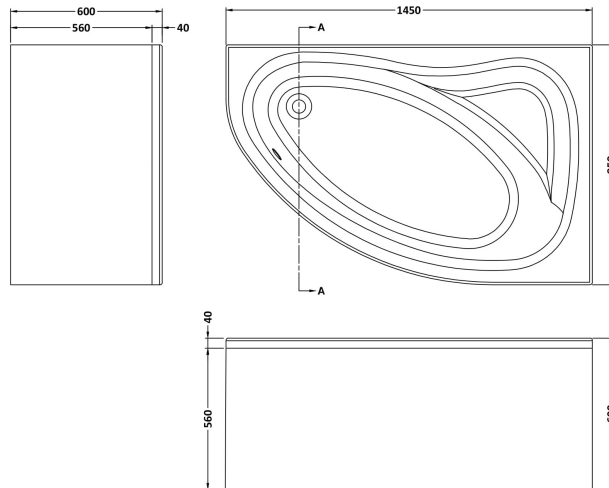
Sales Code: PCB002

Description: Pilot Corner Bath Pack Rh



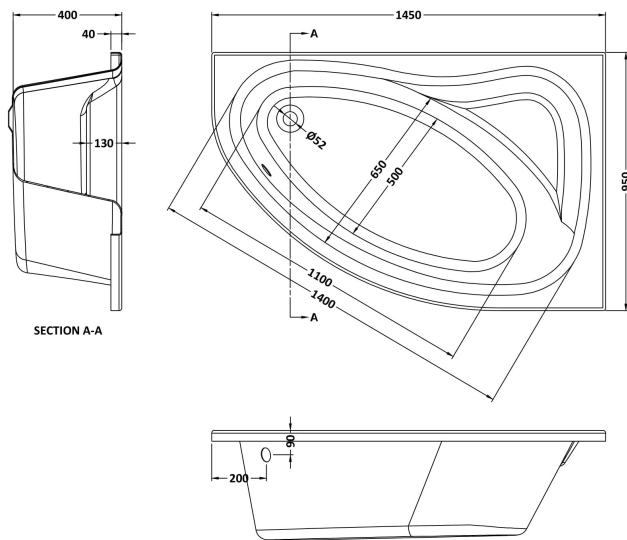
Packaging Details

Barcode: 5055275896976



Sales Code: NCB022NL

Description: Pilot Corner Bath 1450X950 Rh



Product Dimensions

Length (mm):	1450
Width (mm):	950
Depth (mm):	400
Nett Weight (kg):	23

Packaging Dimensions

Length (mm):	1495
Width (mm):	1060
Depth (mm):	415
Gross Weight (kg):	23

Packaging Data

Box Colour:	Brown Cardboard Sleeve
Box Qty:	1
Label Size:	192 x 38
Label Colour:	White Label
Label Qty:	1

Outer Box Dimensions (If Applicable)

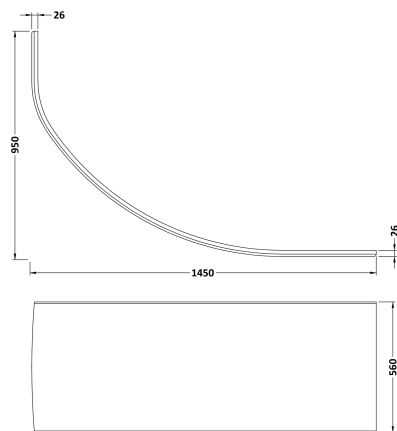
Length (mm):	
Width (mm):	
Height (mm):	
Gross Weight (kg):	
Barcode:	5055275833292

Product Details

Country of Origin:	Poland
Fitting Instruction:	No
Certification:	FSC: No CE & UKCA: Yes
Material Colour Reference:	European White
Product Material:	Acrylic
Material Thickness:	4mm
Volume (Ltr):	160L
Displaced Capacity:	90L
Leg Set Included:	Legset Not Included
Waste Included:	Waste Not Included
Drilled/Undrilled:	Undrilled For Taps
Includes Grips:	No Grips Supplied
Embossed:	No
No of Tapholes:	None
Anti-Slip:	No

Sales Code: NCB020A

Description: Pilot Corner Bath Panel



Product Dimensions

Length (mm):	1840
Width (mm):	25
Depth (mm):	560
Nett Weight (kg):	3.2

Packaging Dimensions

Length (mm):	1840
Width (mm):	440
Depth (mm):	560
Gross Weight (kg):	3.2

Packaging Data

Box Colour:	Polybagged With End Caps
Box Qty:	1
Label Size:	192 x 38
Label Colour:	White Label
Label Qty:	1

Outer Box Dimensions (If Applicable)

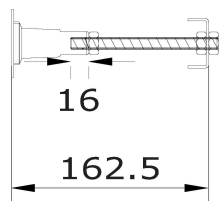
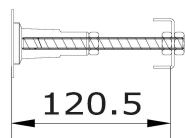
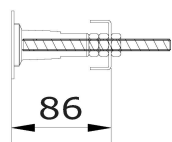
Length (mm):	
Width (mm):	
Height (mm):	
Gross Weight (kg):	
Barcode:	5055275833940

Product Details

Country of Origin:	Poland
Fitting Instruction:	No
Certification:	FSC: N/A CE & UKCA: N/A
Material Colour Reference:	European White
Product Material:	Acrylic
Material Thickness:	2mm
Volume (Ltr):	N/A
Displaced Capacity:	N/A
Leg Set Included:	Not Applicable
Waste Included:	Not Applicable
Drilled/Undrilled:	Not Applicable
Includes Grips:	Not Applicable
Embossed:	Not Applicable
No of Tapholes:	None
Anti-Slip:	Not Applicable

Sales Code: NBL002

Description: Large Bath Leg Set



Product Dimensions

Length (mm):	
Width (mm):	
Depth (mm):	
Nett Weight (kg):	2.3

Packaging Dimensions

Length (mm):	630
Width (mm):	100
Depth (mm):	60
Gross Weight (kg):	2.3

Packaging Data

Box Colour:	Brown Cardboard Box
Box Qty:	1
Label Size:	x
Label Colour:	White Label
Label Qty:	1

Outer Box Dimensions (If Applicable)

Length (mm):	
Width (mm):	
Height (mm):	
Gross Weight (kg):	
Barcode:	5055275862544

Product Details

Country of Origin:	Poland
Fitting Instruction:	No
Certification:	FSC: N/A CE & UKCA: N/A
Material Colour Reference:	Not Applicable
Product Material:	Steel
Material Thickness:	
Volume (Ltr):	N/A
Displaced Capacity:	N/A
Leg Set Included:	Not Applicable
Waste Included:	Not Applicable
Drilled/Undrilled:	Not Applicable
Includes Grips:	Not Applicable
Embossed:	Not Applicable
No of Tapholes:	Not Applicable
Anti-Slip:	Not Applicable