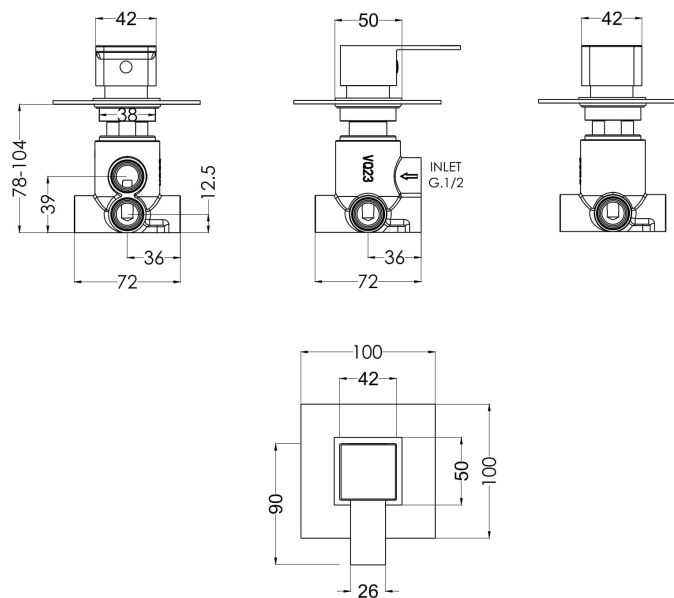
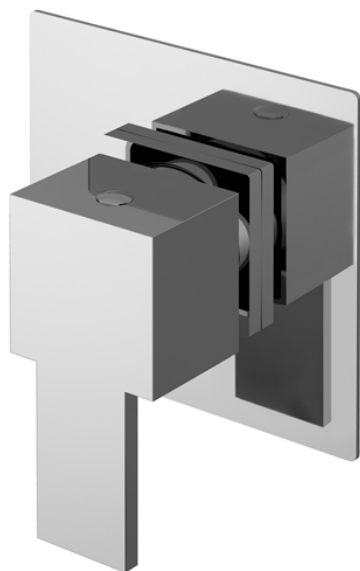


Sales Code: SANWD14

Description: Sanford Concealed Diverter 2/3/4 Way



Product Dimensions

Length (mm):	
Width (mm):	100
Height (mm):	100
Depth (mm):	135
Nett Weight (kg):	1.05

Packaging Dimensions

Length (mm):	189
Width (mm):	175
Height (mm):	124
Gross Weight (kg):	1.05

Packaging Data

Box Colour:	White Cardboard Box
Box Qty:	1
Label Size:	100 x 50
Label Colour:	White Label
Label Qty:	1

Outer Box Dimensions (If Applicable)

Length (mm):	
Width (mm):	370
Height (mm):	720
Depth (mm):	220
Gross Weight (kg):	
Barcode:	5056211898153

Product Details

Country of Origin:	United Kingdom
Fitting Instruction:	No
Product Material:	Brass
Mount Type:	Wall, Recessed
Outlet Elbow Supplied:	No
Easy Clean:	Not Applicable
Head Included:	No
Handset Included:	No
Body Jets Included:	No
No of Body Jets:	Not Applicable
Operating Pressure (bar):	0.2
Valve/Cartridge Type:	1/4 Turn Ceramic Disc
Flow Rates (L/min):	0.1 bar: 5.2 0.5 bar: 13.3 1 bar: 19.1 2 bar: 27 3 bar: 33.2
TMV2 Approved:	No Approval No: N/A
TMV3 Approved:	No Approval No: N/A
WRAS Approved:	No Approval No: N/A
Head Function:	Not Applicable
Handset Function:	Not Applicable
Body Jet Info:	Not Applicable
Pipe Size:	15 mm
Pipe Centres:	N/A
Colour/Finish:	Chrome
Hose Included:	Not Applicable
No. of Outlets:	4