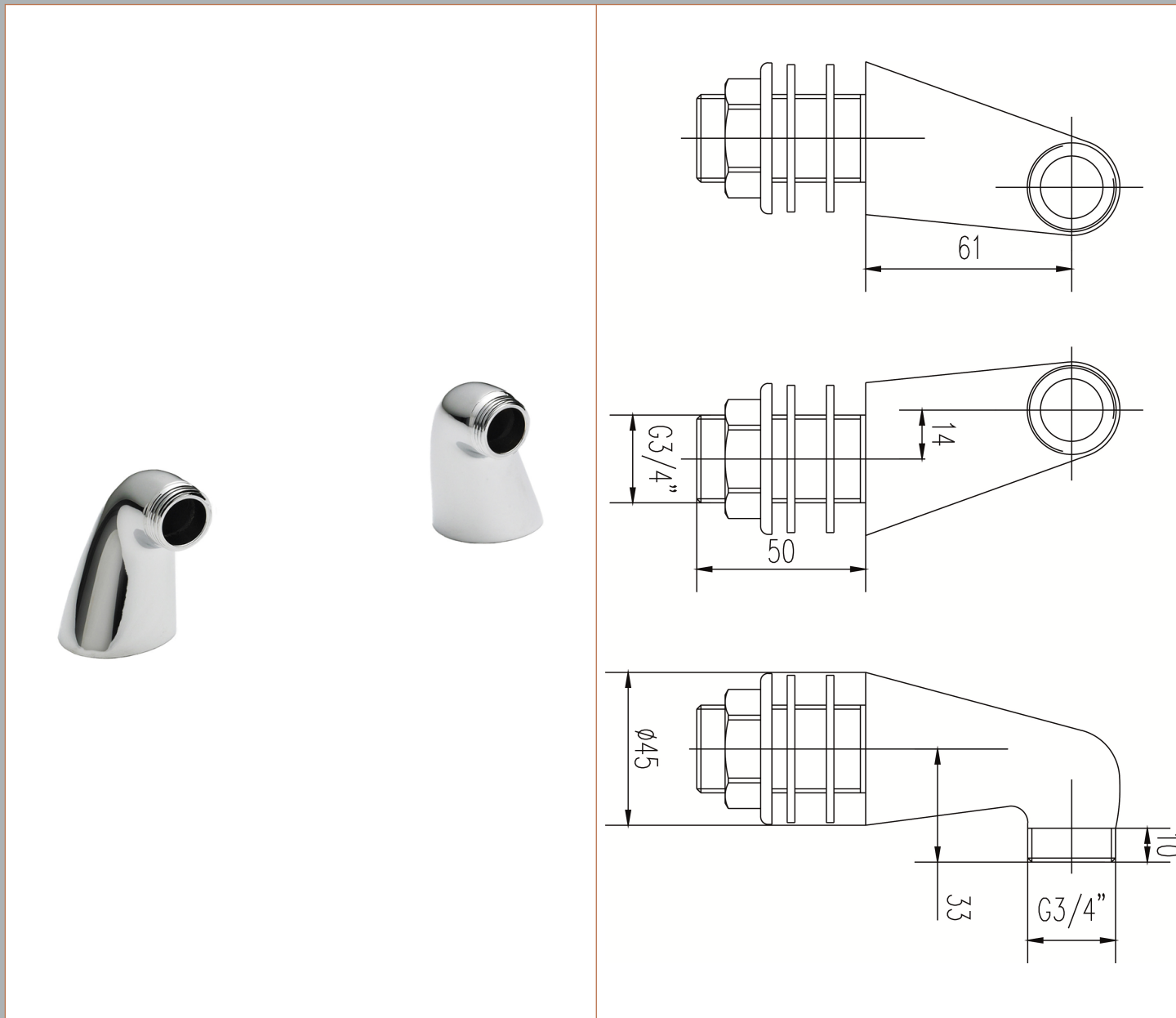


Sales Code: SX315

Description: Short Legs



Product Dimensions

Length (mm):	
Width (mm):	45
Height (mm):	85
Depth (mm):	55
Nett Weight (kg):	0.48

Packaging Dimensions

Height (mm):	125
Width (mm):	90
Depth (mm):	45
Gross Weight (kg):	0.48

Packaging Data

Box Colour:	White Cardboard Box
Box Qty:	1
Label Size:	100 x 50
Label Colour:	White Label
Label Qty:	2

Outer Box Dimensions (If Applicable)

Height (mm):	
Width (mm):	
Length (mm):	
Depth (mm):	
Gross Weight (kg):	12
Barcode:	5055146127949

Product Details

Country of Origin:	China
Fitting Instruction:	No
CE & UKCA:	N/A
Product Material:	Brass
Heating Element Wattage:	Not Applicable
Colour/Finish:	Chrome
Product Diameter:	
Connection Size:	3/4"