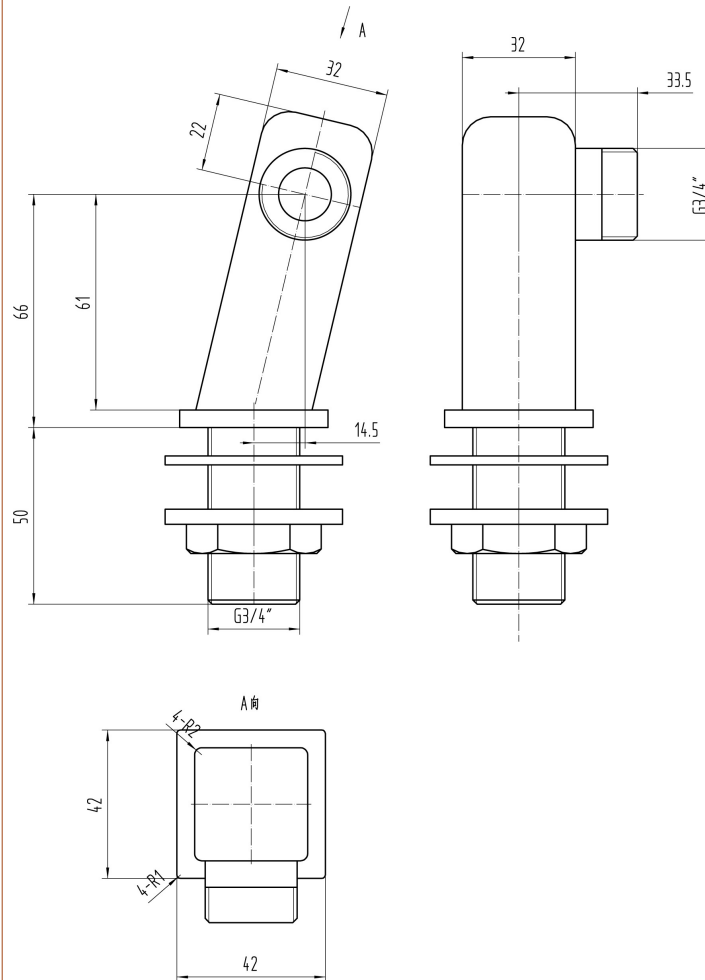


Sales Code: SX323

Description: Square Inlet Legs C/W Flange



Product Dimensions

Length (mm):	
Width (mm):	42
Height (mm):	88
Depth (mm):	70
Nett Weight (kg):	0.87

Packaging Dimensions

Height (mm):	160
Width (mm):	125
Depth (mm):	50
Gross Weight (kg):	0.87

Packaging Data

Box Colour:	White Cardboard Box
Box Qty:	1
Label Size:	100 x 50
Label Colour:	White Label
Label Qty:	2

Outer Box Dimensions (If Applicable)

Height (mm):	
Width (mm):	
Length (mm):	
Depth (mm):	
Gross Weight (kg):	17
Barcode:	5055369068661

Product Details

Country of Origin:	China
Fitting Instruction:	No
CE & UKCA:	N/A
Product Material:	Brass
Heating Element Wattage:	Not Applicable
Colour/Finish:	Chrome
Product Diameter:	42mm
Connection Size:	3/4"