

**Sales Code:** TR71C

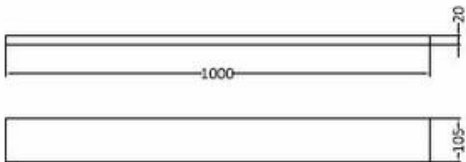
**Description:** Leg Set & Plinth Kit (1700 & 1000 Panel)

**Packaging Details**

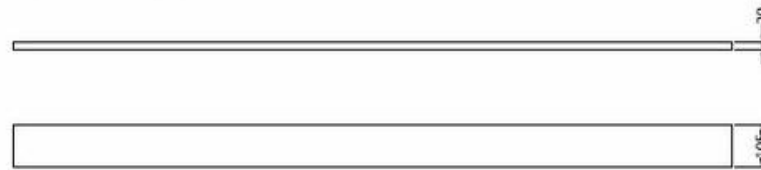
Barcode: 5056211814146



**1000mm TRAY PANEL**

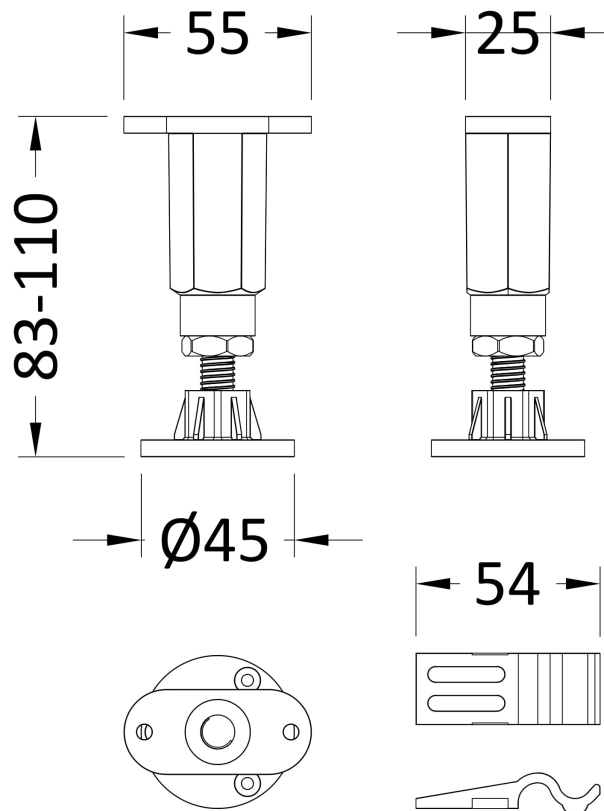
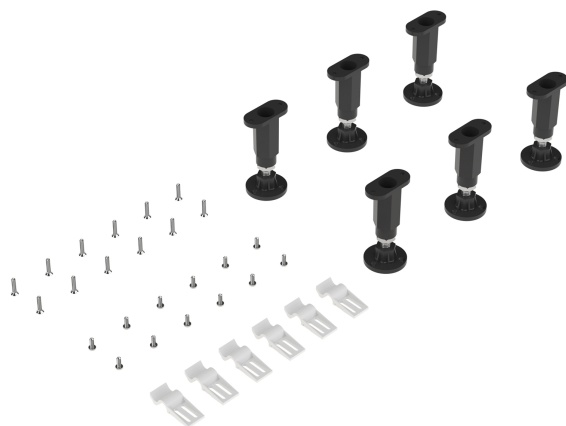


**1700mm TRAY PANEL**



Sales Code: NTP001

Description: Pack Of 6 Legs/Clips & Screws



**Product Dimensions**

Length (mm):	55
Width (mm):	25
Height (mm):	110
Depth (mm):	125
Nett Weight (kg):	0.83

**Packaging Dimensions**

Height (mm):	180
Width (mm):	120
Depth (mm):	125
Gross Weight (kg):	0.83

**Packaging Data**

Box Colour:	Polybagged
Box Qty:	1
Label Size:	100 x 50
Label Colour:	White Label
Label Qty:	2

**Outer Box Dimensions (If Applicable)**

Height (mm):	
Width (mm):	
Length (mm):	
Depth (mm):	
Gross Weight (kg):	
Barcode:	5055369007943

**Product Details**

Country of Origin:	United Kingdom
Fitting Instruction:	No
CE & UKCA:	
Product Material:	
Heating Element Wattage:	
Colour/Finish:	
Product Diameter:	
Connection Size:	

**Sales Code:** TR71515

**Description:** 1000 Tray Panel (1000 X 105 X 20)



**Product Dimensions**

Length (mm): 1000  
 Width (mm): 105  
 Height (mm): 20  
 Nett Weight (kg): 0.3

**Packaging Dimensions**

Length (mm): 125  
 Width (mm): 1100  
 Height (mm): 15  
 Gross Weight (kg): 0.3

**Packaging Data**

Box Colour:  
 Box Qty:  
 Label Size: x  
 Label Colour:  
 Label Qty:

**Outer Box Dimensions (If Applicable)**

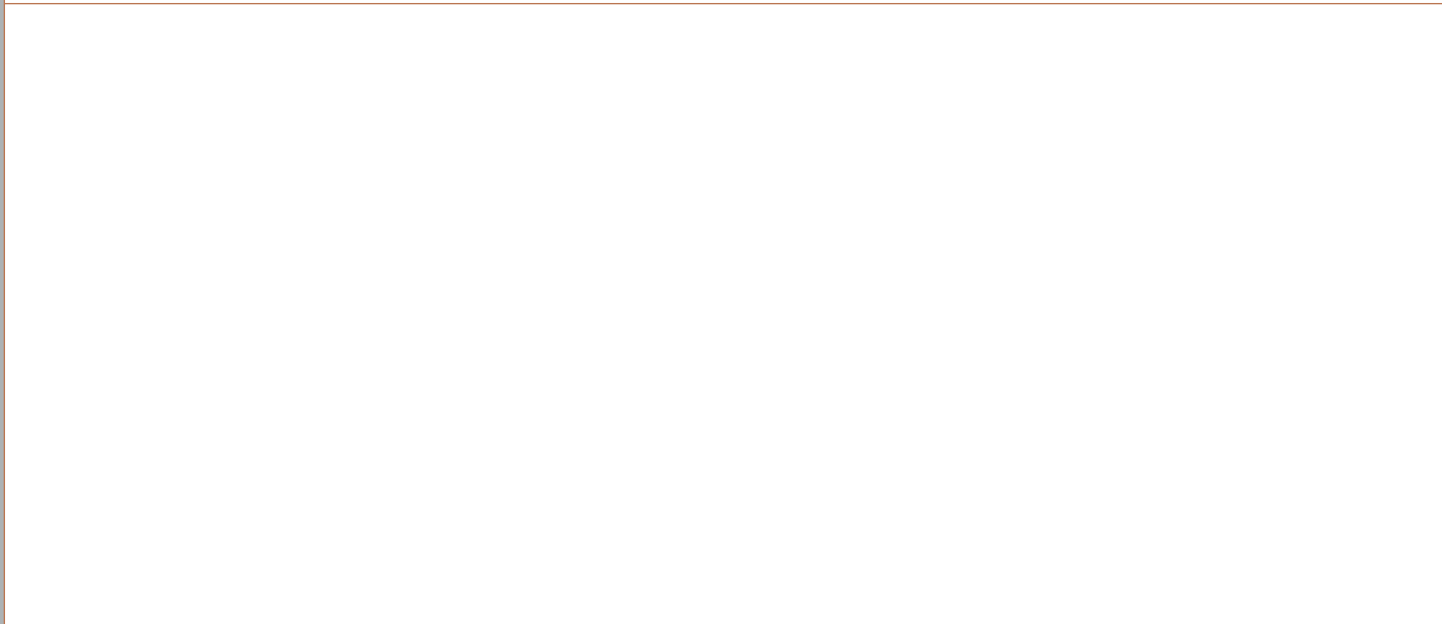
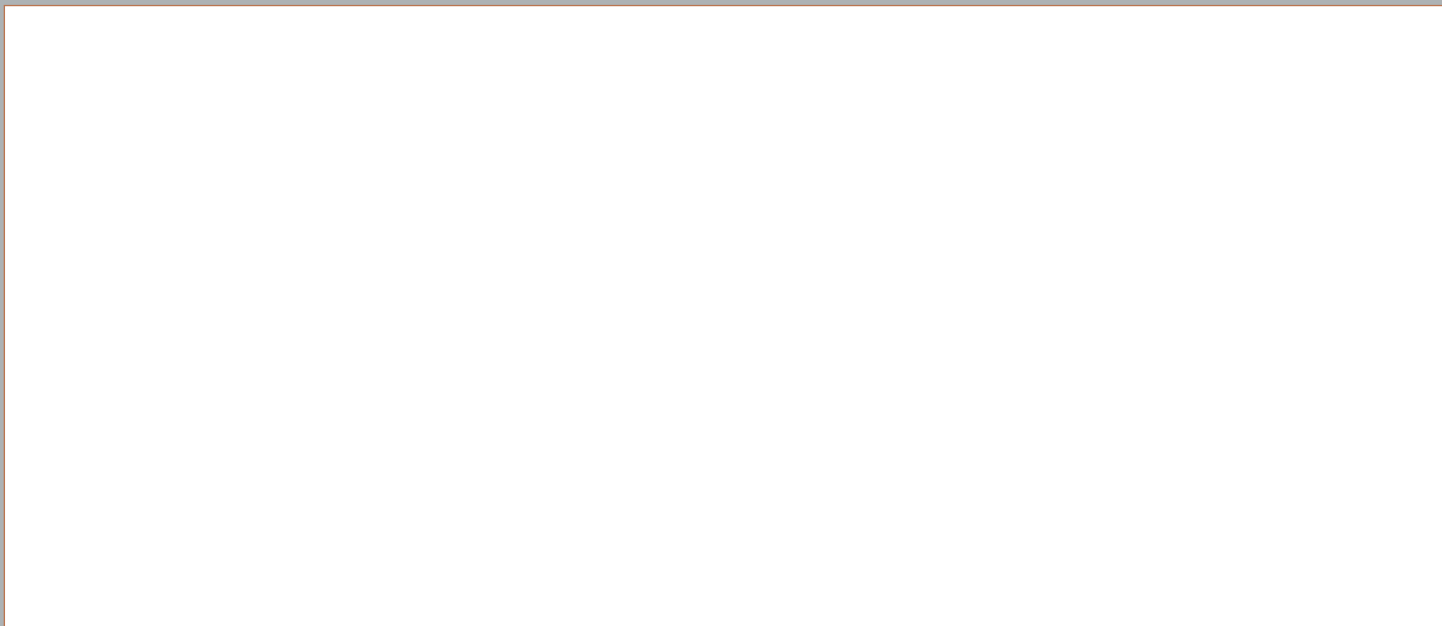
Length (mm):  
 Width (mm):  
 Height (mm):  
 Gross Weight (kg):  
 Barcode: 5056211814313

**Product Details**

Country of Origin: United Kingdom  
 Fitting Instruction: No  
 CE & UKCA:  
 Colour/Finish:  
 Product Material:  
 Material Colour Reference:  
 Radius:  
 Waste Required (mm):  
 Compatible with Leg Kit:

**Sales Code:** TR71565

**Description:** 1800 Tray Panel



**Product Dimensions**

Length (mm): 1800  
 Width (mm): 105  
 Height (mm): 20  
 Nett Weight (kg): 0.5

**Packaging Dimensions**

Length (mm): 125  
 Width (mm): 1700  
 Height (mm): 15  
 Gross Weight (kg): 0.5

**Packaging Data**

Box Colour:  
 Box Qty:  
 Label Size: x  
 Label Colour:  
 Label Qty:

**Outer Box Dimensions (If Applicable)**

Length (mm):  
 Width (mm):  
 Height (mm):  
 Gross Weight (kg):  
 Barcode: 5056211814351

**Product Details**

Country of Origin: United Kingdom  
 Fitting Instruction: No  
 CE & UKCA:  
 Colour/Finish:  
 Product Material:  
 Material Colour Reference:  
 Radius:  
 Waste Required (mm):  
 Compatible with Leg Kit: