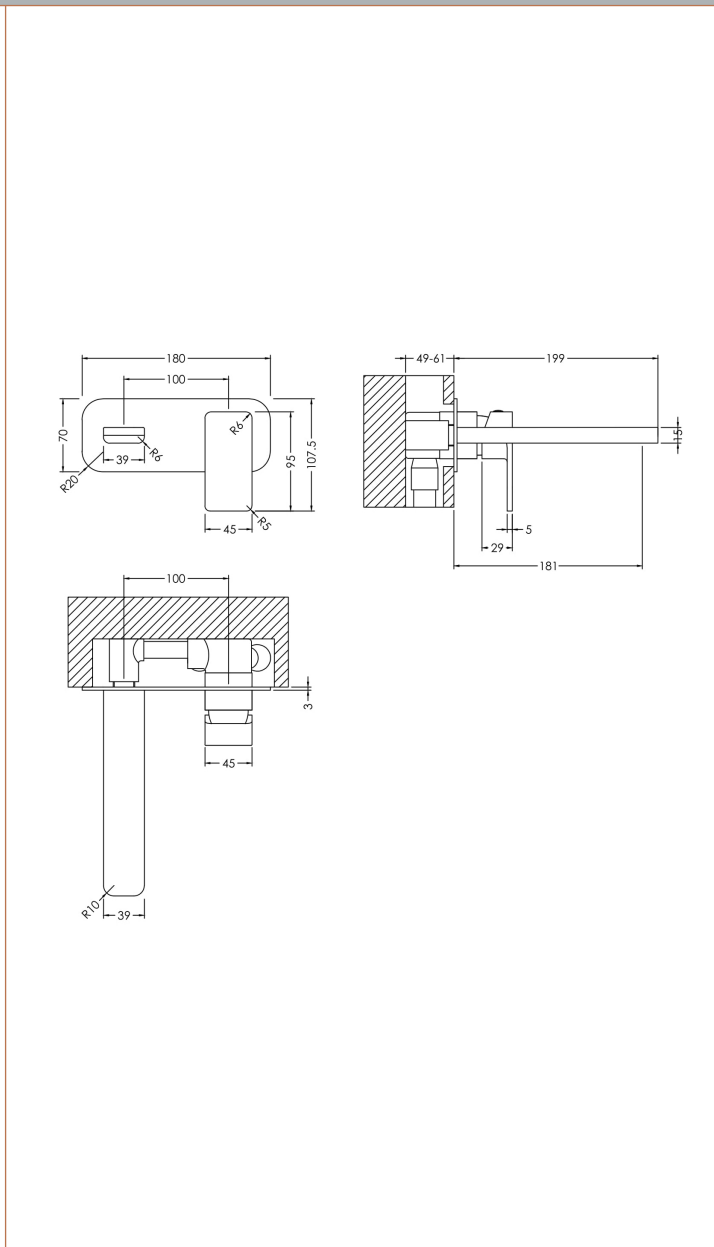


Sales Code: WIN1528

Description: Windon W/M 2Th Basin Mixer With Plate



### Product Dimensions

Height (mm):	70
Width (mm):	180
Depth (mm):	199
Length (mm):	
Nett Weight (kg):	2.04

### Packaging Dimensions

Height (mm):	115
Width (mm):	205
Depth (mm):	250
Gross Weight (kg):	2.04

### Packaging Data

Box Colour:	White Cardboard Box
Box Qty:	1
Label Size:	100 x 50
Label Colour:	White Label
Label Qty:	1

### Outer Box Dimensions (If Applicable)

Height (mm):	600
Width (mm):	435
Depth (mm):	265
Length (mm):	
Gross Weight (kg):	
Barcode:	5056678476673

### Product Details

Country of Origin:	China
Fitting Instruction:	No
Product Material:	Brass
Control Type:	Manual
Waste Included:	Waste Not Included
Waste Type:	Not Applicable
WRAS Approval: Yes	Approval No: 2206032
Valve/Cartridge Type:	Single Lever Cartridge
Colour/Finish:	Brushed Bronze
Mount Type:	Wall
Operating Pressure (bar):	0.2
Flow Rates: (Litres Per Min)	0.1 bar: 2.8 0.5 bar: 7.1 1 bar: 10.4 2 bar: 15 3 bar: 18.5
Pipe Size:	1/2"
Pipe Centres:	100