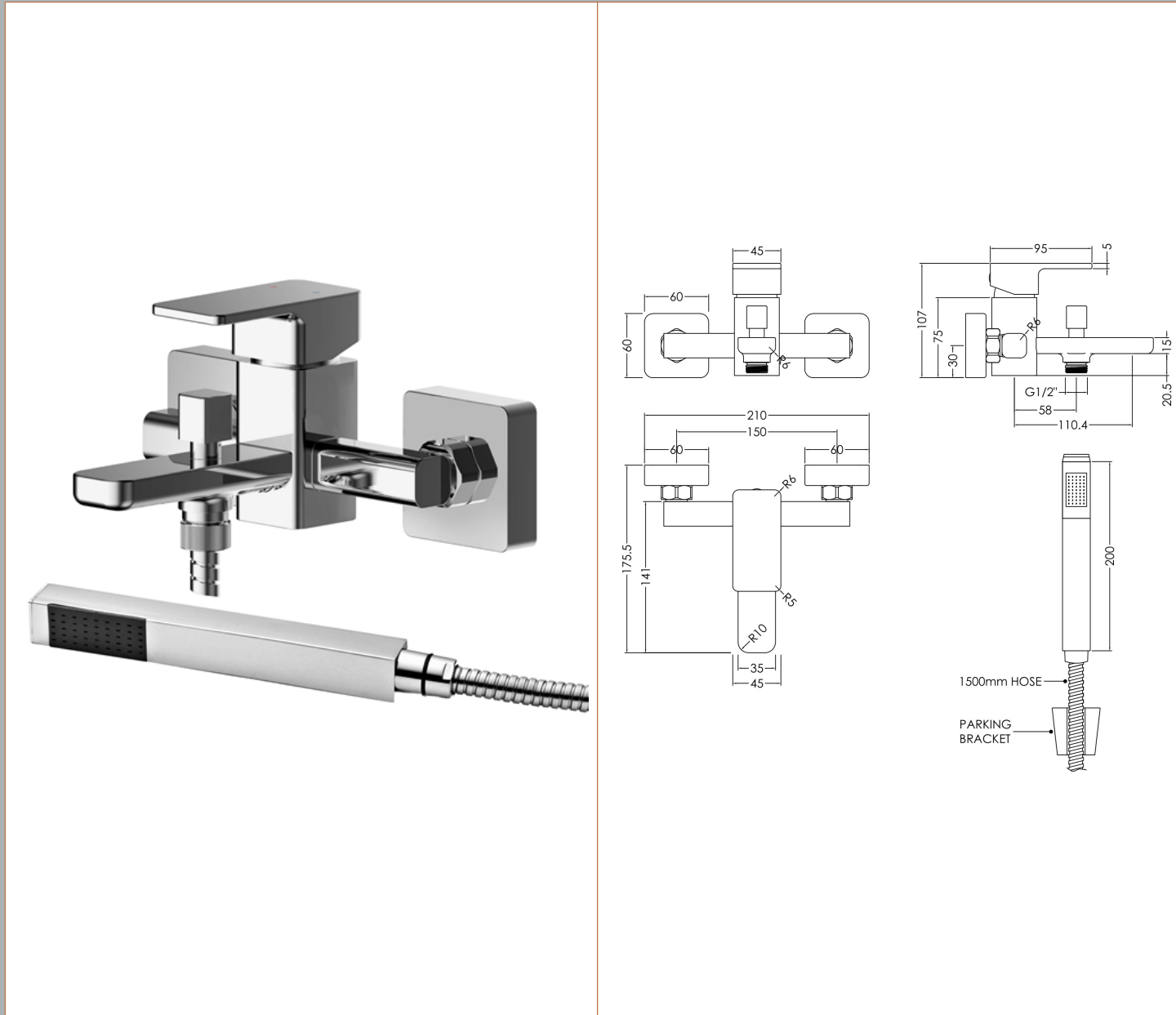


Sales Code: WIN316

Description: Windon W/M SI Bsm With Kit



**Product Dimensions**

Height (mm):	105
Width (mm):	180
Depth (mm):	141
Length (mm):	
Nett Weight (kg):	2.02

**Packaging Dimensions**

Height (mm):	125
Width (mm):	275
Depth (mm):	330
Gross Weight (kg):	2.02

**Packaging Data**

Box Colour:	White Cardboard Box
Box Qty:	1
Label Size:	100 x 50
Label Colour:	White Label
Label Qty:	1

**Outer Box Dimensions (If Applicable)**

Height (mm):	565
Width (mm):	525
Depth (mm):	350

Length (mm):	
Gross Weight (kg):	
Barcode:	5056211898320

**Product Details**

Country of Origin:	China
Fitting Instruction:	No
Product Material:	Brass/ABS
Control Type:	Manual
Waste Included:	Waste Not Included
Waste Type:	Not Applicable
WRAS Approval:	No
Approval No:	N/A
Valve/Cartridge Type:	1/4 Turn Ceramic Disc
Colour/Finish:	Chrome
Mount Type:	Wall
Operating Pressure (bar):	3
Flow Rates: (Litres Per Min)	0.1 bar: 3.1    0.5 bar: 6.8    1 bar: 9.9    2 bar: 14.1    3 bar: 17.3
Pipe Size:	3/4"
Pipe Centres:	150