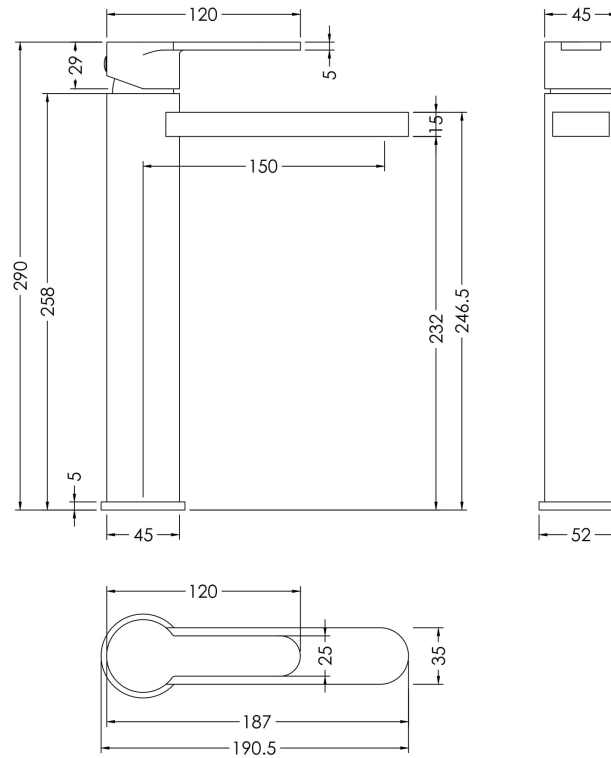


Sales Code: WIN770

Description: Windon High Rise Mixer (No Waste)



Product Dimensions

Height (mm):	290
Width (mm):	50
Depth (mm):	192
Length (mm):	
Nett Weight (kg):	2.38

Packaging Dimensions

Height (mm):	95
Width (mm):	270
Depth (mm):	330
Gross Weight (kg):	2.38

Packaging Data

Box Colour:	White Cardboard Box
Box Qty:	1
Label Size:	100 x 50
Label Colour:	White Label
Label Qty:	1

Outer Box Dimensions (If Applicable)

Height (mm):	560
Width (mm):	500
Depth (mm):	345
Length (mm):	
Gross Weight (kg):	
Barcode:	5056462625874

Product Details

Country of Origin:	China
Fitting Instruction:	No
Product Material:	Brass
Control Type:	Manual
Waste Included:	Waste Not Included
Waste Type:	Not Applicable
WRAS Approval: Yes	Approval No: 2204060
Valve/Cartridge Type:	Single Lever Cartridge
Colour/Finish:	Brushed Pewter
Mount Type:	Deck
Operating Pressure (bar):	0.2
Flow Rates: (Litres Per Min)	0.1 bar: 2.2 0.5 bar: 7.5 1 bar: 11.2 2 bar: 16.4 3 bar: 20.2
Pipe Size:	1/2"
Pipe Centres:	N/A