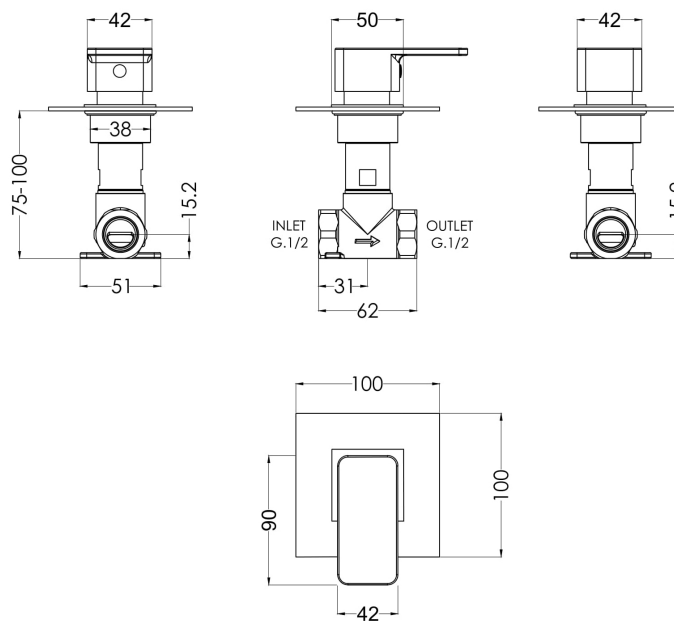


Sales Code: WINST10

Description: Windon Concealed Stop Tap



Product Dimensions

Length (mm):	
Width (mm):	100
Height (mm):	100
Depth (mm):	135
Nett Weight (kg):	0.77

Packaging Dimensions

Length (mm):	175
Width (mm):	157
Height (mm):	100
Gross Weight (kg):	0.77

Packaging Data

Box Colour:	White Cardboard Box
Box Qty:	1
Label Size:	100 x 50
Label Colour:	White Label
Label Qty:	1

Outer Box Dimensions (If Applicable)

Length (mm):	
Width (mm):	330
Height (mm):	560
Depth (mm):	195
Gross Weight (kg):	
Barcode:	5056211898436

Product Details

Country of Origin:	United Kingdom
Fitting Instruction:	No
Product Material:	Brass
Mount Type:	Wall, Recessed
Outlet Elbow Supplied:	No
Easy Clean:	Not Applicable
Head Included:	No
Handset Included:	No
Body Jets Included:	No
No of Body Jets:	Not Applicable
Operating Pressure (bar):	0.2
Valve/Cartridge Type:	1/4 Turn Ceramic Disc
Flow Rates (L/min):	0.1 bar: 5.4 0.5 bar: 13.4 1 bar: 19.2 2 bar: 27.5 3 bar: 33.3
TMV2 Approved:	No Approval No: N/A
TMV3 Approved:	No Approval No: N/A
WRAS Approved:	No Approval No: N/A
Head Function:	Not Applicable
Handset Function:	Not Applicable
Body Jet Info:	Not Applicable
Pipe Size:	15 mm
Pipe Centres:	N/A
Colour/Finish:	Chrome
Hose Included:	Not Applicable
No. of Outlets:	1