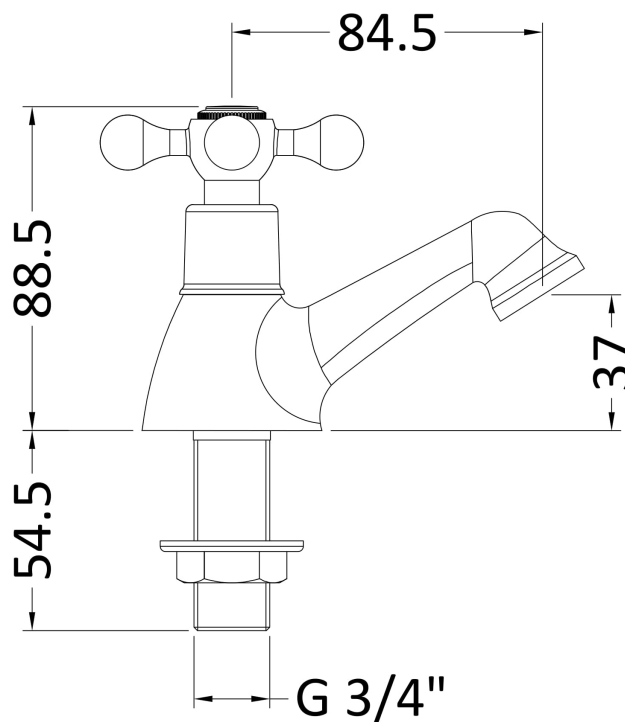


Sales Code: X382

Description: Viscount Bath Tap



Product Dimensions

| | |
|-------------------|-----|
| Height (mm): | 89 |
| Width (mm): | 40 |
| Depth (mm): | 120 |
| Length (mm): | |
| Nett Weight (kg): | 1.1 |

Packaging Dimensions

| | |
|--------------------|-----|
| Height (mm): | 132 |
| Width (mm): | 49 |
| Depth (mm): | 88 |
| Gross Weight (kg): | 1.3 |

Packaging Data

| | |
|---------------|---------------------|
| Box Colour: | White Cardboard Box |
| Box Qty: | 1 |
| Label Size: | 100 x 50 |
| Label Colour: | White Label |
| Label Qty: | 2 |

Outer Box Dimensions (If Applicable)

| | |
|--------------------|---------------|
| Height (mm): | 305 |
| Width (mm): | 335 |
| Depth (mm): | 335 |
| Length (mm): | |
| Gross Weight (kg): | 21 |
| Barcode: | 5055369008834 |

Product Details

| | |
|---------------------------|-----------------------|
| Country of Origin: | China |
| Fitting Instruction: | No |
| Product Material: | Brass |
| Control Type: | Manual |
| Waste Included: | Waste Not Included |
| Waste Type: | Not Applicable |
| WRAS Approval: No | Approval No: N/A |
| Valve/Cartridge Type: | 1/4 Turn Ceramic Disc |
| Colour/Finish: | Chrome |
| Mount Type: | Deck |
| Operating Pressure (bar): | 0.1 |

| | | | | | |
|------------------------------|------------------|-------------|-----------|-----------|----------|
| Flow Rates: (Litres Per Min) | 0.1 bar: 9 | 0.5 bar: 22 | 1 bar: 34 | 2 bar: 43 | 3 bar: 0 |
| Pipe Size: | 22 mm (3/4" Bsp) | | | | |
| Pipe Centres: | N/A | | | | |