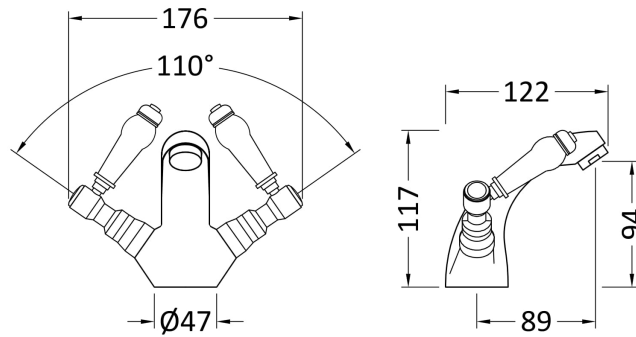


Sales Code: XM305

Description: Bloomsbury Mono With P/B Waste



### Product Dimensions

Height (mm):	117
Width (mm):	50
Depth (mm):	113
Length (mm):	
Nett Weight (kg):	2.08

### Packaging Dimensions

Height (mm):	85
Width (mm):	170
Depth (mm):	395
Gross Weight (kg):	2.08

### Packaging Data

Box Colour:	White Cardboard Box
Box Qty:	1
Label Size:	100 x 50
Label Colour:	White Label
Label Qty:	2

### Outer Box Dimensions (If Applicable)

Height (mm):	370
Width (mm):	350
Depth (mm):	405
Length (mm):	
Gross Weight (kg):	12
Barcode:	5055146105732

### Product Details

Country of Origin:	China
Fitting Instruction:	No
Product Material:	Brass
Control Type:	Manual
Waste Included:	Waste Included
Waste Type:	Push Button
WRAS Approval:	Approval No: N/A
Valve/Cartridge Type:	1/4 Turn Ceramic Disc
Colour/Finish:	Chrome
Mount Type:	Deck
Operating Pressure (bar):	0.1

Flow Rates: (Litres Per Min)	0.1 bar: 5	0.5 bar: 17	1 bar: 23	2 bar: 32	3 bar: 37
Pipe Size:	15 mm (1/2" Bsp)				
Pipe Centres:	N/A				