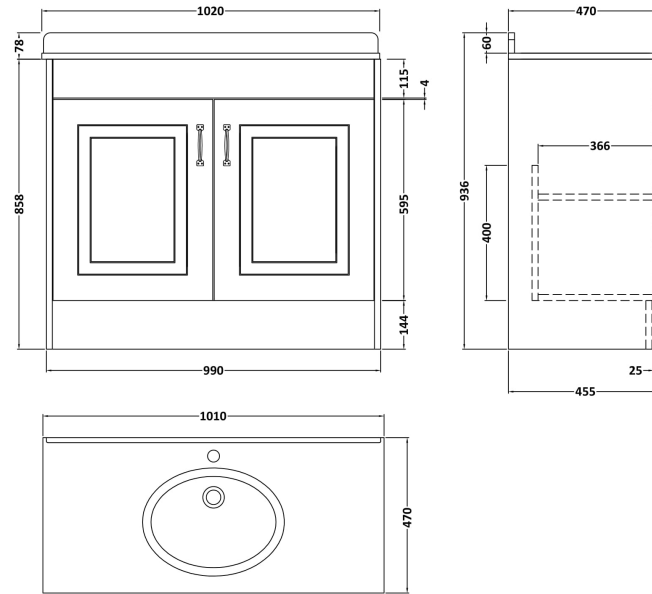


Sales Code: YOR147

Description: 1000 2-Door F/S Unit With Marble Top 1Th

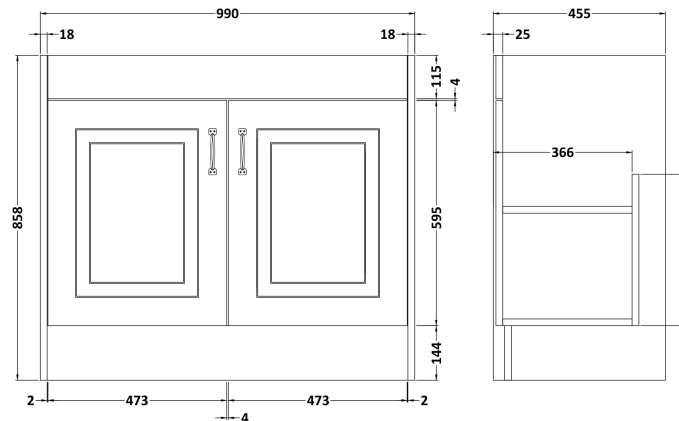


Packaging Details

Barcode: 5056462619941

Sales Code: OLF107

Description: 1000 2-Door Floor Standing Unit



Product Dimensions

Height (mm):	858
Width (mm):	990
Depth (mm):	455
Nett Weight (kg):	33.5

Packaging Dimensions

Height (mm):	895
Width (mm):	1010
Depth (mm):	480
Gross Weight (kg):	33.5

Packaging Data

Box Colour:	Brown Cardboard Box
Box Qty:	1
Label Size:	100 x 50
Label Colour:	White Label
Label Qty:	2

Outer Box Dimensions (If Applicable)

Height (mm):	
Width (mm):	
Depth (mm):	
Gross Weight (kg):	
Barcode:	5056211851479

Product Details

Country of Origin:	United Kingdom
Fitting Instruction:	No
CE & UKCA:	N/A
FSC Certified Materials:	Yes
Colour:	White Ash
Construction Method:	Cam & Wood Dowel
Construction Type:	Rigid
Cabinet Finish:	MFC Textured Woodgrain
Fascia Finish:	Mdf Vinyl Textured Woodgrain
Cabinet Thickness (mm):	18
Fascia Thickness (mm):	18
Drawer Included:	No
Drawer Type:	Not Applicable
No of Shelves:	1
Hinge Type:	110 Degree Inset Clip-On S/C
Hinge Included:	Yes
Adjustable Legs:	No
Fixings Included:	Yes
Handle Style:	Traditional
Waste Shroud:	No
Handle Included:	Yes
Handle Type:	Strap

