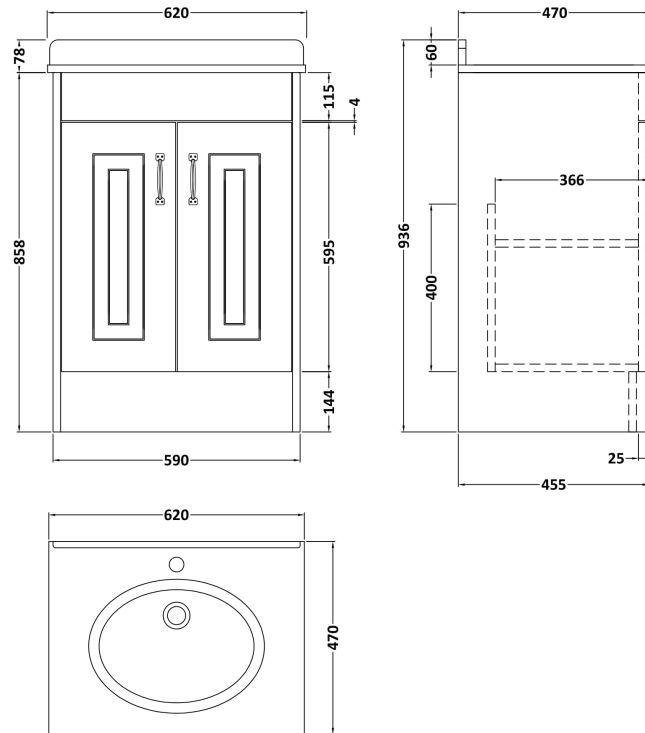


Sales Code: YOR221

Description: 600 2-Door F/S Unit With Marble Top 1Th

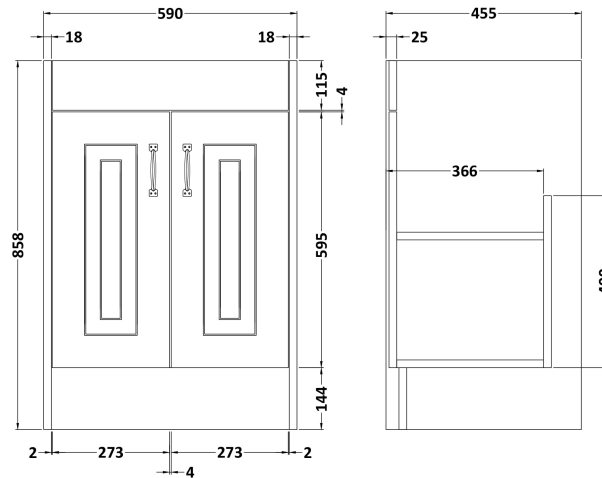


Packaging Details

Barcode: 5056462619477

Sales Code: OLF203

Description: 600 2-Door Floor Standing Unit



Product Dimensions

| | |
|-------------------|-----|
| Height (mm): | 858 |
| Width (mm): | 590 |
| Depth (mm): | 455 |
| Nett Weight (kg): | 25 |

Packaging Dimensions

| | |
|--------------------|-----|
| Height (mm): | 895 |
| Width (mm): | 610 |
| Depth (mm): | 480 |
| Gross Weight (kg): | 25 |

Packaging Data

| | |
|---------------|---------------------|
| Box Colour: | Brown Cardboard Box |
| Box Qty: | 1 |
| Label Size: | 100 x 50 |
| Label Colour: | White Label |
| Label Qty: | 2 |

Outer Box Dimensions (If Applicable)

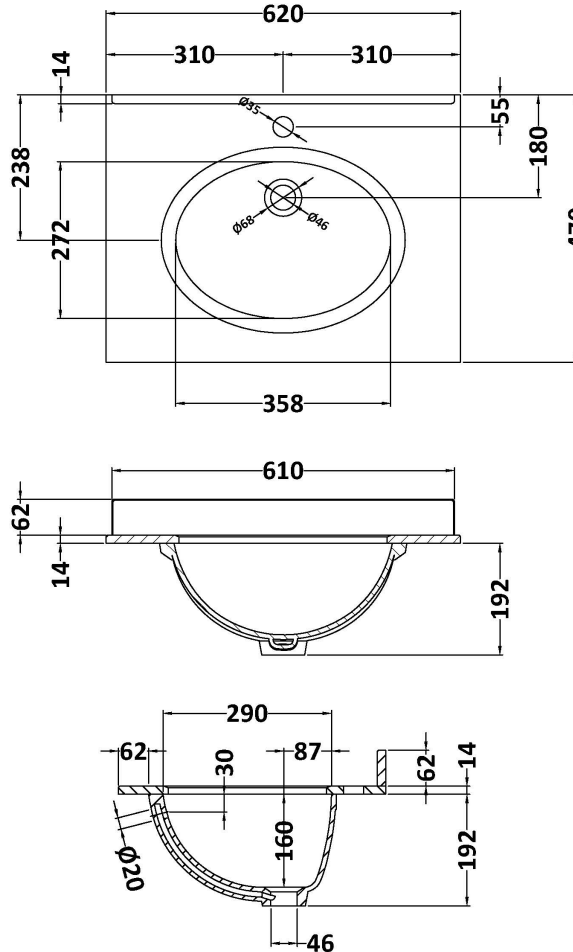
| | |
|--------------------|---------------|
| Height (mm): | |
| Width (mm): | |
| Depth (mm): | |
| Gross Weight (kg): | |
| Barcode: | 5055275812815 |

Product Details

| | |
|--------------------------|------------------------------|
| Country of Origin: | United Kingdom |
| Fitting Instruction: | No |
| CE & UKCA: | N/A |
| FSC Certified Materials: | Yes |
| Colour: | Stone Grey |
| Construction Method: | Cam & Wood Dowel |
| Construction Type: | Rigid |
| Cabinet Finish: | MFC Textured Woodgrain |
| Fascia Finish: | Mdf Vinyl Textured Woodgrain |
| Cabinet Thickness (mm): | 18 |
| Fascia Thickness (mm): | 18 |
| Drawer Included: | No |
| Drawer Type: | Not Applicable |
| No of Shelves: | 1 |
| Hinge Type: | 110 Degree Inset Clip-On S/C |
| Hinge Included: | Yes |
| Adjustable Legs: | No |
| Fixings Included: | No |
| Handle Style: | Traditional |
| Waste Shroud: | No |
| Handle Included: | Yes |
| Handle Type: | Strap |

Sales Code: LOM221

Description: 600 Single Bowl Marble Top 1Th



Product Dimensions

| | |
|-------------------|------|
| Height (mm): | 268 |
| Width (mm): | 620 |
| Depth (mm): | 463 |
| Nett Weight (kg): | 13.5 |

Packaging Dimensions

| | |
|--------------------|-----|
| Height (mm): | 310 |
| Width (mm): | 700 |
| Depth (mm): | 550 |
| Gross Weight (kg): | 14 |

Packaging Data

| | |
|---------------|---------------------|
| Box Colour: | White Cardboard Box |
| Box Qty: | 1 |
| Label Size: | 100 x 50 |
| Label Colour: | White Label |
| Label Qty: | 2 |

Outer Box Dimensions (If Applicable)

| | |
|--------------------|---------------|
| Height (mm): | |
| Width (mm): | |
| Depth (mm): | |
| Gross Weight (kg): | |
| Barcode: | 5056211818960 |

Product Details

| | |
|---------------------------|--------------------------------|
| Country of Origin: | China |
| Fitting Instruction: | No |
| Certification: CE & UKCA: | N/A |
| WRAS: | N/A |
| WRAS No: | N/A |
| Product Material: | Vitreous China, Natural Marble |
| Fixing Supplied: | No |

Pans/Bidets: Trap Style: Not Applicable Includes Seat: Not Applicable

Seats: Seat Type: Not Applicable Material: Not Applicable
Function: Not Applicable Hinge Type: Not Applicable
Hinge Material: Not Applicable

Cisterns: Operating Type: Not Applicable Fittings: Not Applicable
Lever Type: Not Applicable

Basins: Tap Hole: One Taphole Chain Stay Hole: No
Template: Not Applicable Waste Type Req: Slotted
Overflow Inc: Yes Overflow Cover: Yes
Inner Bowl Depth (mm): 160mm