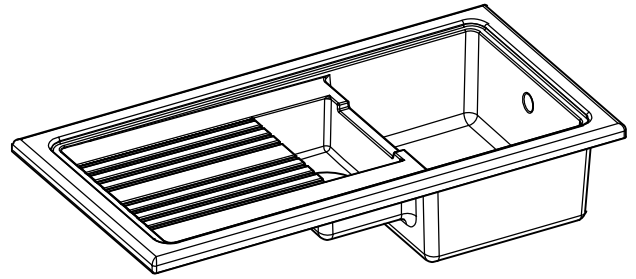
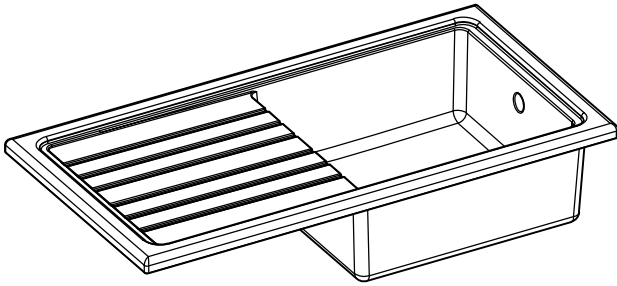


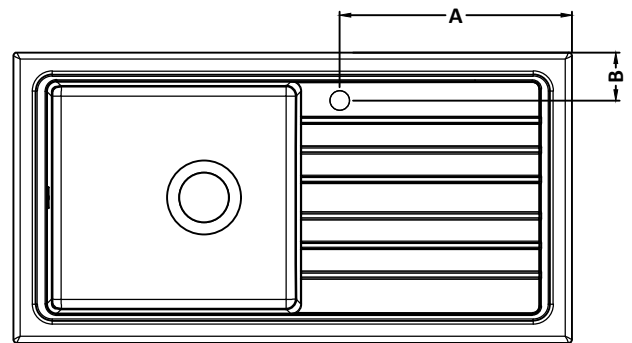
GENERAL FITTING GUIDE - FIRECLAY KITCHEN SINK TAP DRILLING



TOOLS REQUIRED

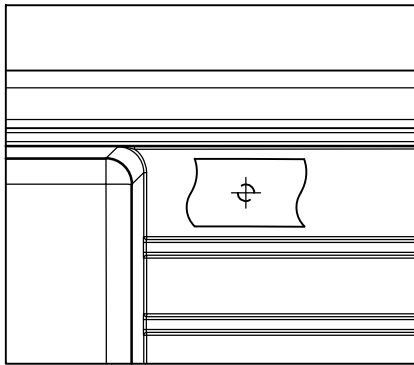
TAPE MEASURE
PENCIL or MARKER
MASKING TAPE
HOLE SAW with DIAMOND TIPPED CUTTER
DRILL
FILE or SANDPAPER

1. DETERMINE THE POSITION OF THE HOLE. CENTRAL TO THE FIRST RIB ON THE DRAINER IS OUR RECOMMENDATION (See Below). ENSURE THERE IS SUFFICIENT SPACE UNDERNEATH FOR THE TAP FIXING.

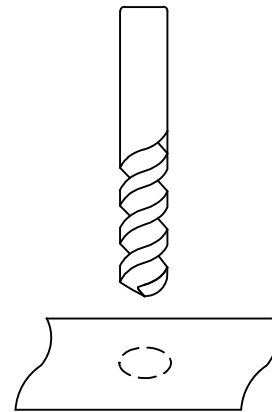


SINGLE BOWL SINK A - 420mm B - 87mm
DOUBLE BOWL SINK A - 518mm B - 91mm

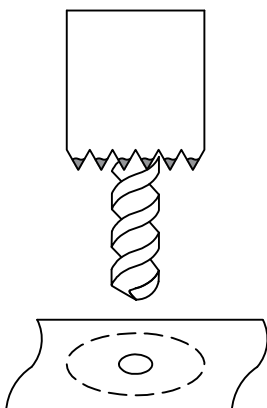
2. USE MASKING TAPE TO PROTECT THE SINK SURFACE AND MARK YOUR DESIRED POSITION WITH A PENCIL OR MARKER.



3. DRILL A PILOT HOLE THROUGH THE CENTRE OF THE MARK. THIS WILL HELP YOU WITH THE POSITIONING THE 35mm CUTTER.



4. USING A 35mm HOLE SAW WITH A DIAMOND TIPPED CUTTER, POSITION THE GUIDING DRILL BIT INTO THE PILOT HOLE. USE A STEADY HAND AND GENTLY DRILL THROUGH THE SURFACE.



5. ENSURE ANY ROUGH EDGES ARE REMOVED WITH A FILE OR SANDPAPER. REMOVE THE MASKING TAPE AND FIT THE TAP.

