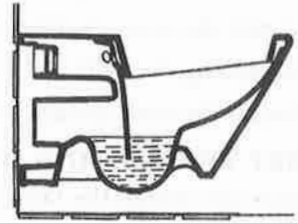


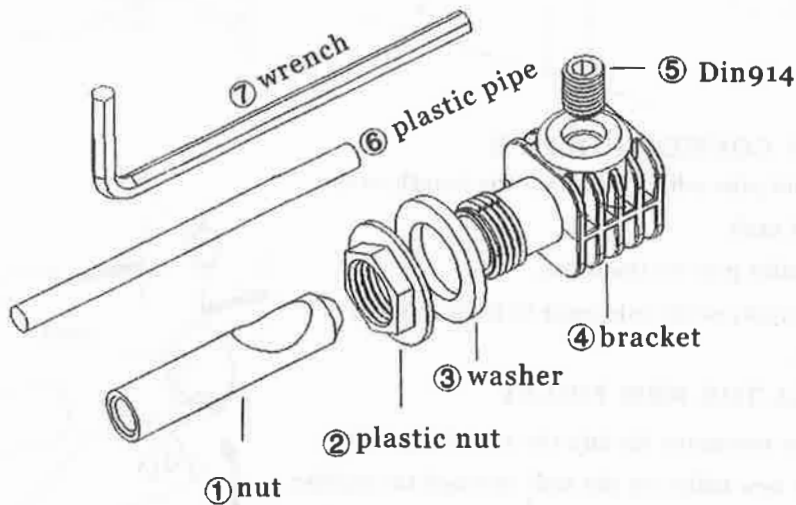
# Installation instruction

## hung toilet fixing sets

- .For fixing of hung toilet
- .Matched with inwall tank
- .contents



①	nut	2	M 16 × 70
②	Plastic nut	2	POM
③	washer	2	Nilon
④	Bracket	2	Nilon
⑤	Hexgon socket set screw	2	Din914
⑥	Plastic pipe	2	
⑦	Hex wrench	1	6mm



.Please read these instructions carefully to familiarize yourself with the required tools, materials, and installation sequences. Follow the sections that pertain to your particular installation. This will help you avoid costly mistakes. In addition to proper installation, read all operating and safety instructions.

.Observe all local plumbing and building codes

.Shut off the water supply

### TOOLS AND MATERIALS REQUIRED (Not supplied)

- .adjustable wrench
- .metal file (file cut)
- .tape measure
- .tubing cutter
- .level
- .hacksaw
- .putty knife
- .screwdriver
- .connection packing
- .straight pipe coupling

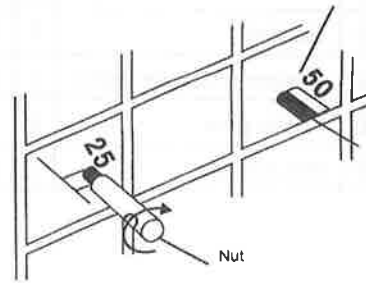
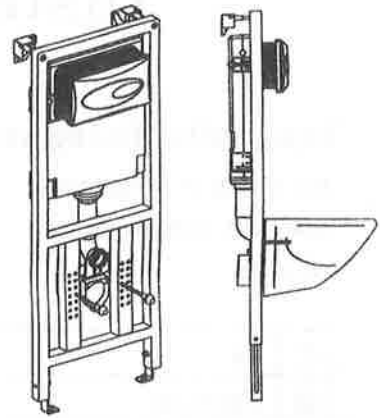
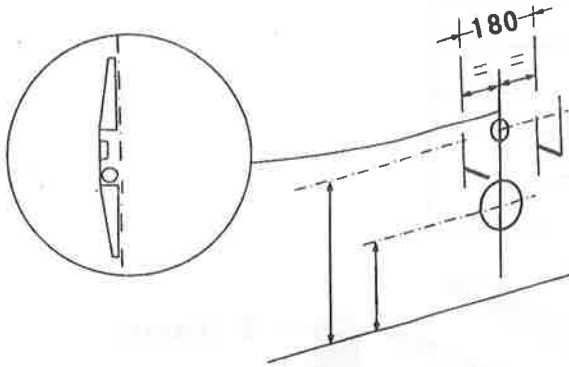
## INSTALLATION

### 1. INSTALL THE TANK

- 1) turn the water supply off before installing the new toilet.
- 2) Install the concealed tank system in wall before decorating the wall.
- 3) Install the tank system per tank's installation instructions.

### 2. SET THE SPACING OF THE BOWL

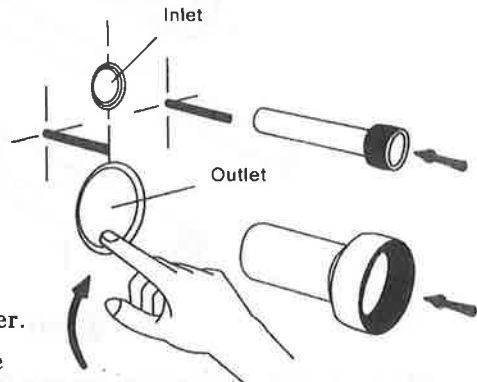
after you install the tank, be careful to set the spacing of set aside the length for carrier studs and tighten nut. The bowl on wall according to the dimensions as shown.



Carrier Stud

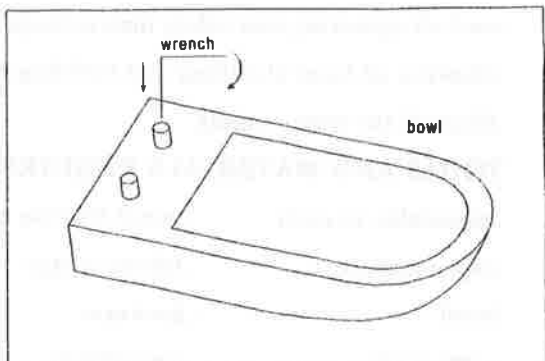
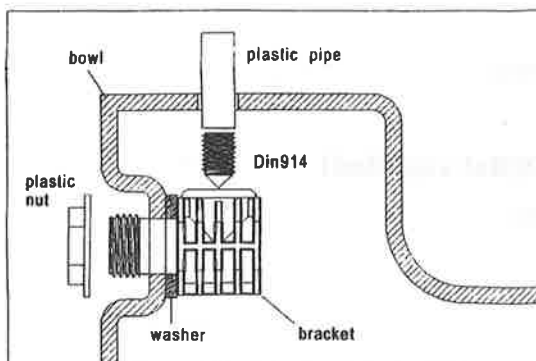
### 3. ATTACH CONNECTION PIPE

- 1) attach inlet pipe which set aside the length to the concealed tank.
- 2) Attach outlet pipe to the toilet.
- 3) You may apply some lubricant to help connect smoothly.



### 4. INSTALL THE NEW TOILET

- 1) install the accessory kit into the installing hole.
- 2) Place the new toilet on the wall through the carrier.
- 3) Use wrench to tighten accessories and level in the toilet. then finish fixation
- 4) Apply sealant to make sure the bowl's edge seals to the wall.



### 5. INSTALL SEAT WITH HARDWARE PROVIDED