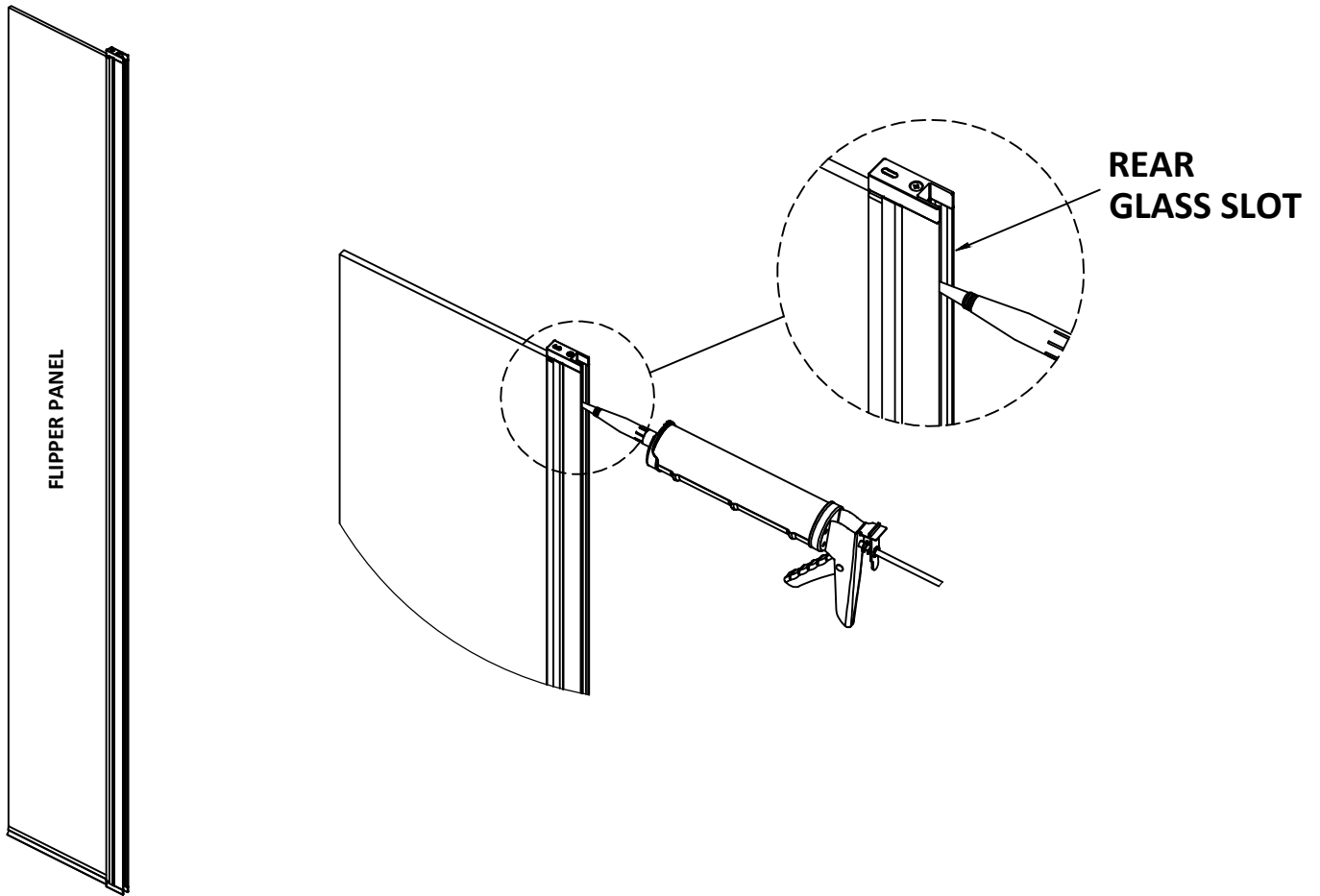


WETROOM FLIPPER PANEL INSTRUCTION

1. CLEAN THE EXISTING GLASS SCREEN IN THE AREA WHERE THE FLIPPER PANEL WILL BE ATTACHED.
ALSO CLEAN THE REAR GLASS SLOT ON THE FLIPPER PANEL.
ISOPROPYL ALCOHOL IS RECOMMENDED FOR BOTH.

2. WHEN DRY, RUN A 3mm BEAD OF SILICONE (FULL LENGTH) IN THE REAR GLASS SLOT OF THE FLIPPER PANEL.
THIS WILL BE THE BOND FOR SECURING THE FLIPPER PANEL TO THE EXISTING GLASS.

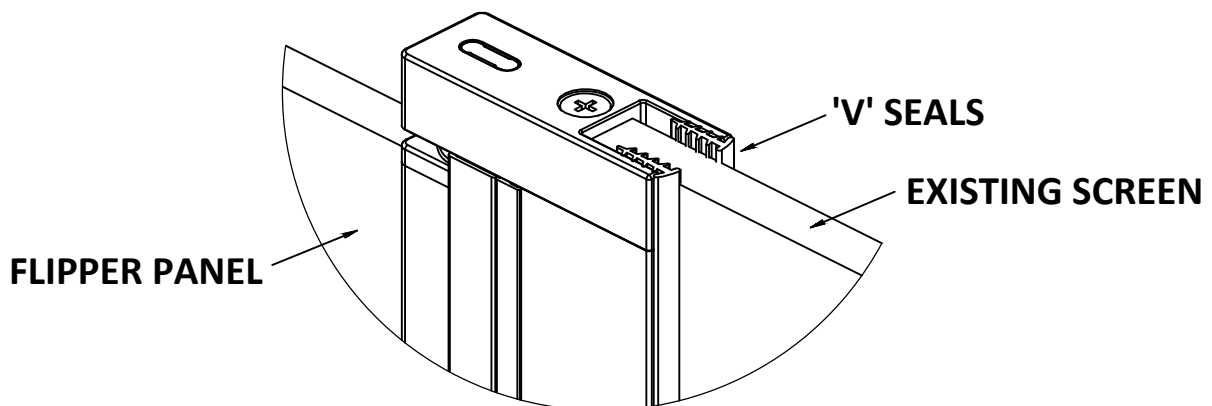


3. FIT THE FLIPPER PANEL ONTO THE EXISTING GLASS.

4. WHEN FULLY HOME, FIT THE 'V' SEALS (x2) AS SHOWN.
PUSH ONE IN EITHER SIDE OF THE GLASS.

5. REMOVE FLIPPER PANEL BOTTOM SEAL AND FULLY SUPPORT THE FLIPPER
PANEL GLASS USING A 16mm BLOCK AT THE BOTTOM UNTIL THE SILICONE CURES
(24 HOURS).

6. REMOVE THE BLOCK WHEN CURED AND RE-FIT THE SEAL.



AFTERCARE - ENSURE YOU CLEAN YOUR PRODUCT USING A MILD DETERGENT DILUTED IN WATER, REMOVING ANY RESIDUE WITH A SOFT DAMP CLOTH.

MAINTENANCE - ENSURE PARTS ARE FREE FROM ANY DEBRIS OR SOAP BUILD UP.