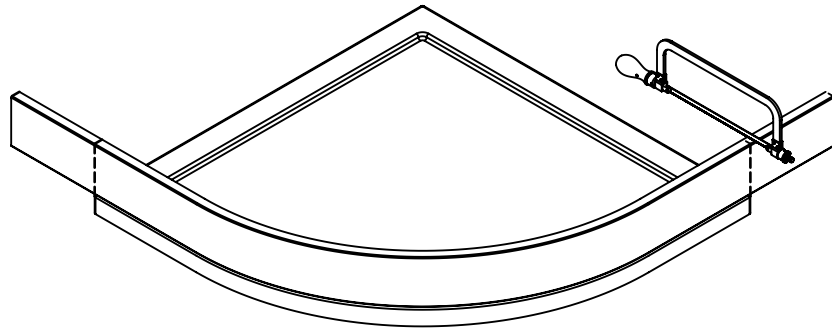
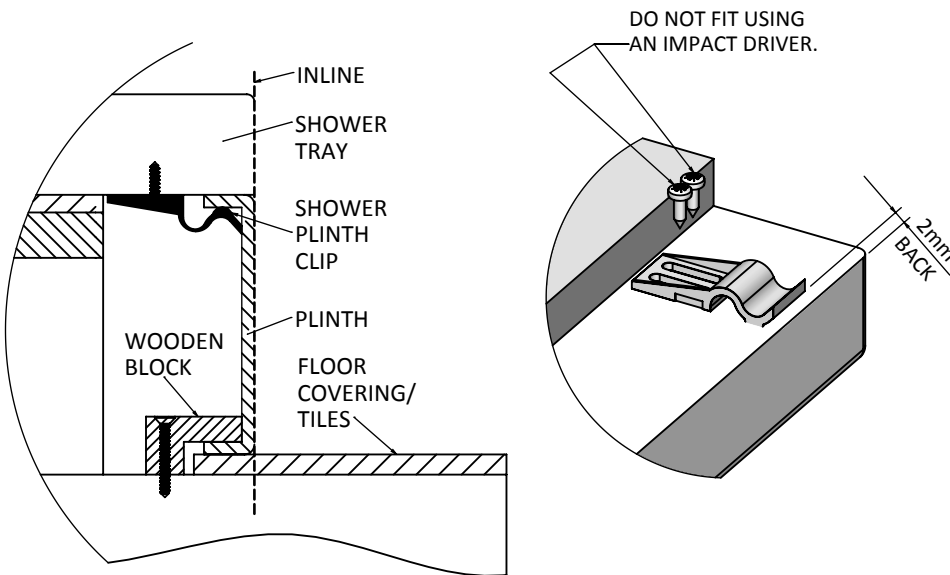




# PLINTH KIT FITTING

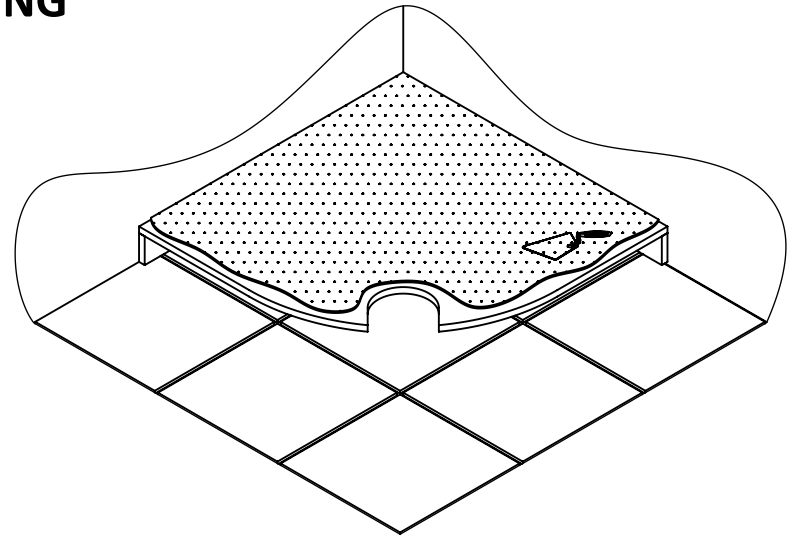


1. THE SHOWER TRAY PLINTH MAY BE SUPPLIED OVER LENGTH. PLACE ONTO THE TRAY FOLLOWING THE CONTOUR. MARK, THEN CUT PLINTH TO SUIT.



2. FIT PLINTH CLIPS TO THE UNDERSIDE OF THE TRAY USING DIAGRAMS OVERLEAF AS A GUIDE. SET THE CLIP 2mm BACK FROM THE FRONT EDGE OF THE TRAY.

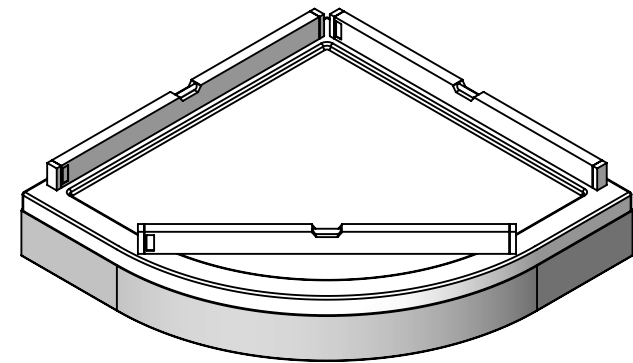
NOTCHED WOODEN BLOCKS CAN BE USED BEHIND THE PLINTH TO HELP KEEP THE PLINTH STABLE, (NOT SUPPLIED).



3. FIT BATTENS TO THE WALL USING SUITABLE FIXINGS. BATTENS SHOULD BE FROM THE FLOOR TO THE UNDERSIDE OF THE BASEBOARD.

PLACE THE BASEBOARD ONTO BATTENS AND PIN IN PLACE. ENSURE BASEBOARD IS LEVEL WITH A SPIRIT LEVEL.

APPLY A SUFFICIENT SAND & CEMENT BED (OR FLEXIBLE FLOOR TILE ADHESIVE) TO THE BASEBOARD TO FORM A LEVEL BED. PLACE THE TRAY ON THE BED AND TAMPER ENSURING A GAP OF 'PLINTH HEIGHT +2mm' FROM FLOOR TILE TO UNDERSIDE OF TRAY. TRAY MUST BE LEVEL IN ALL PLANES.



4. MAKE ALL WASTE CONNECTIONS AND CHECK FOR LEAKS.

FIT SHOWER PLINTH WHEN ALL WORKS ARE FINISHED.