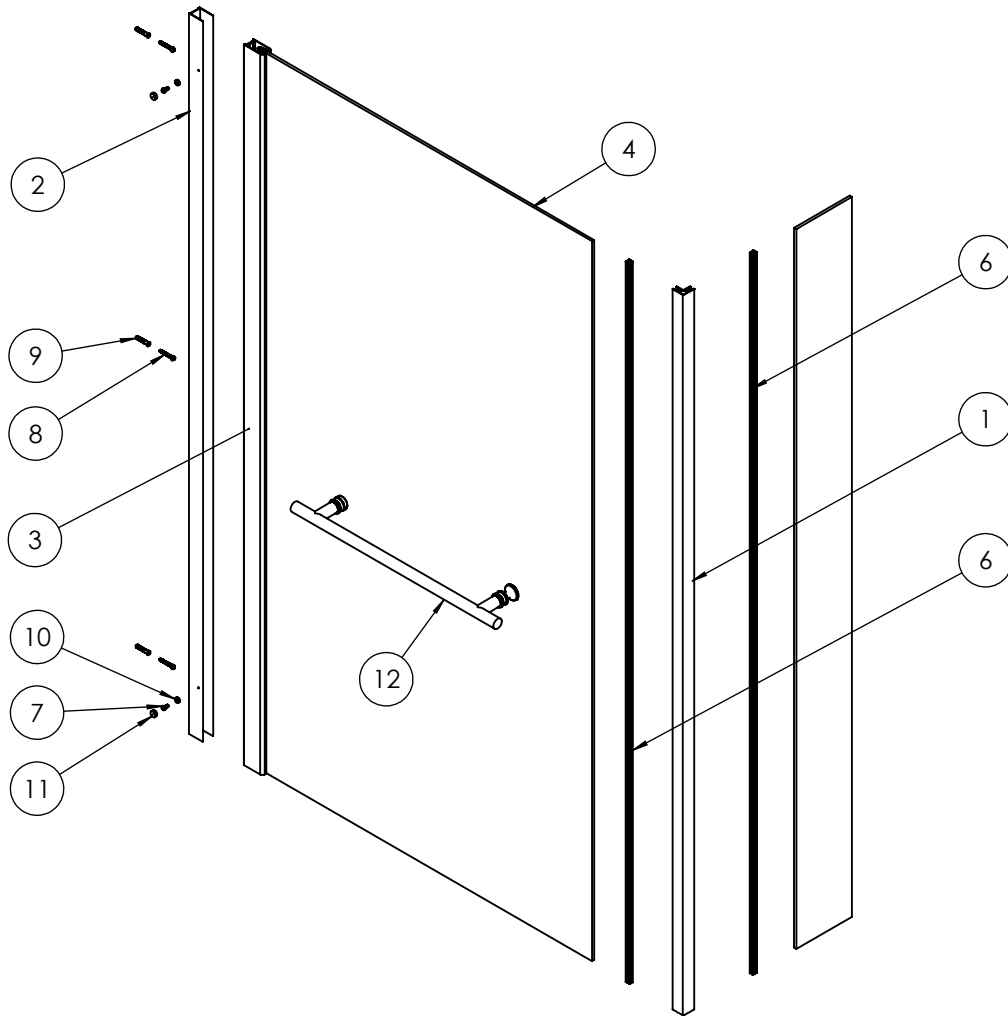


SQUARE BATH SCREEN INSTALLATION

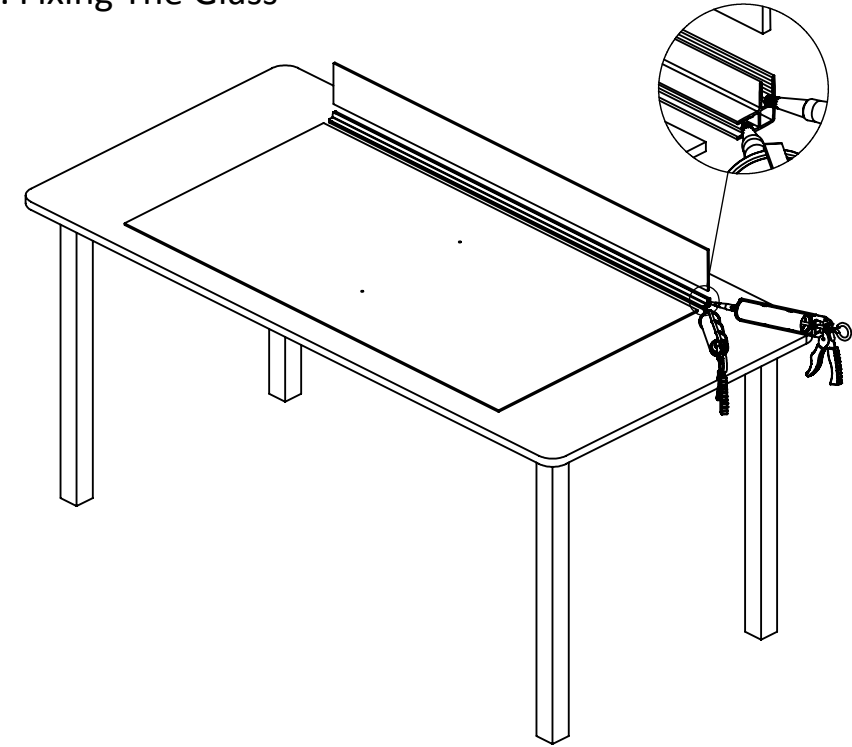
Unpack the box and ensure all components are present.
 No refunds or re-fitting cost will be given if incomplete or damaged goods have been fitted.
 The toughened safety glass is to specification EN12150 and should be handled with care as impacts can damage the glass.



| ITEM | DESCRIPTION | QTY |
|------|---------------------|-----|
| 1 | CORNER POST | 1 |
| 2 | WALL PROFILE | 1 |
| 3 | GLASS PROFILE | 1 |
| 4 | GLASS PANEL LARGE | 1 |
| 5 | GLASS PANEL SMALL | 1 |
| 6 | VERTICAL WEDGE SEAL | 2 |

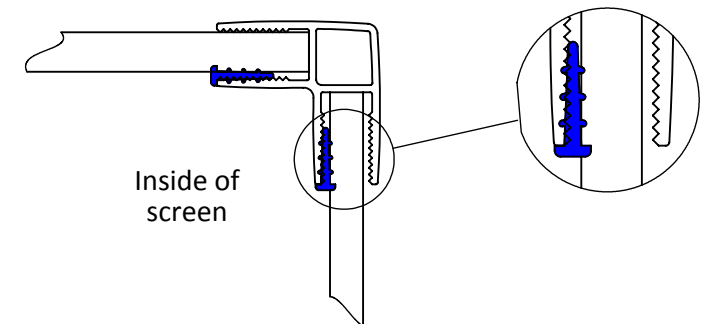
| | | | |
|----|-------------------------|--|---|
| 7 | 10mm PAN HD SELF TAPPER | | 2 |
| 8 | 30mm PAN HD SELF TAPPER | | 3 |
| 9 | WALLPLUG | | 3 |
| 10 | SCREW CUP | | 2 |
| 11 | SCREW CUP COVER | | 2 |
| 12 | OPTIONAL RAIL | | 1 |

1. Fixing The Glass



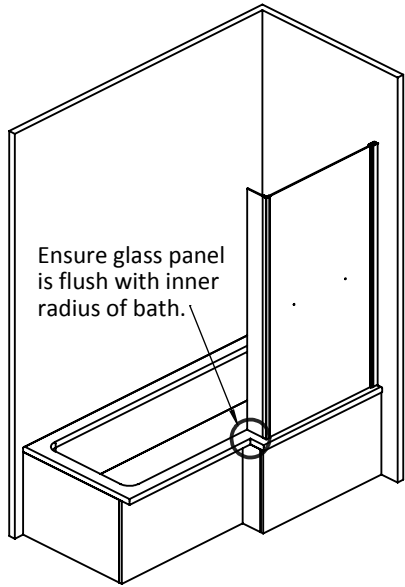
Lay the large panel (4) on a clean flat surface with the corner post (1) facing upwards. In both corner post slots, apply a small bead of silicone along the length of the channel stopping 5mm short of either end and insert the glass panels (4&5).

2. Vertical Wedge Seals



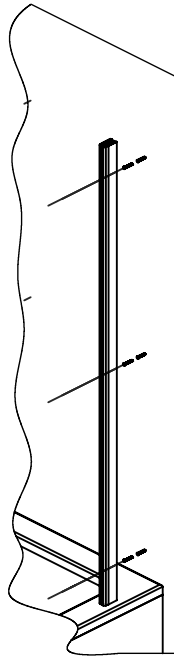
Insert the vertical wedge seal (6) into the corner post as shown above. Push the seal down the length of the corner post. A wooden block can be used to aid fitting. Trim off any surplus seal at either end, so its level with the profile.

3. Mounting the Wall Profile



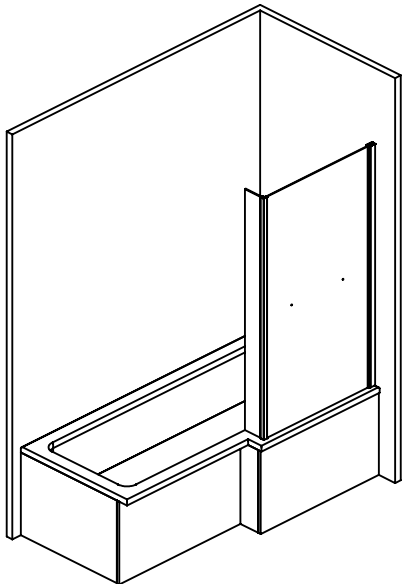
Slide the wall profile (2) onto the screen. Sit the screen onto the bath and adjust so the short glass panel butts up to the inside radius of the bath. Mark the position of the wall profile (2) with a pencil.

Move the screen aside and remove wall profile. Re-align the wall profile with the pencil mark, ensuring vertical with a spirit level. Mark through the wall profile fixing holes. Use a masonry drill bit to drill the holes for the wall plugs (9). Insert the wall plugs so that they fit flush with the wall's surface. Now fix the wall profile to the wall using the screws (8) provided.



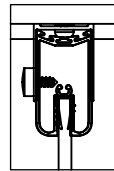
4a. Screen Fixing

Re-insert the screen into the wall profile. Adjust the position of the screen until it is parallel and square with the bath. As below.



From the inside of the bath screen make a pencil mark on the wall profile approximately 100mm from the top and the bottom.

NOTE: When marking the hole position ensure that the 3mm hole drilled will go through both the wall and glass profiles (2&3), with at least 3mm of the profile's material around the hole.



ENSURE YOU DO NOT DRILL THE GLASS.

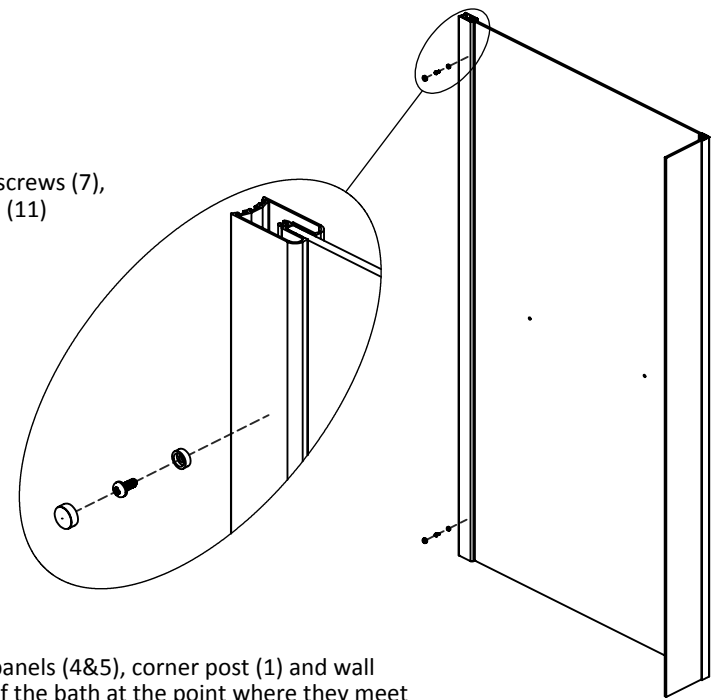
DO NOT DRILL THROUGH BOTH SIDES.



4b. Screen Fixing

Fix the screen using the screws (7), cups (10) and cover caps (11) provided.

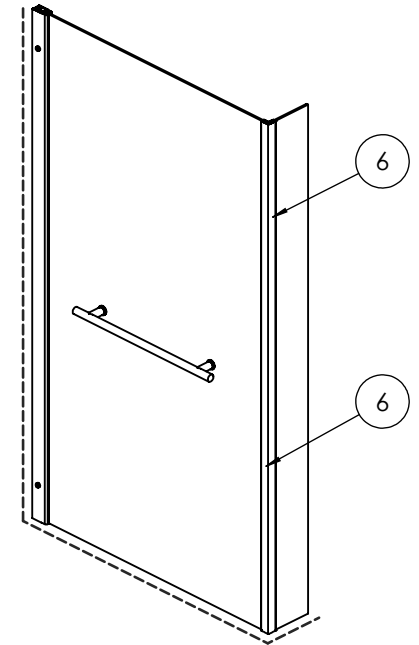
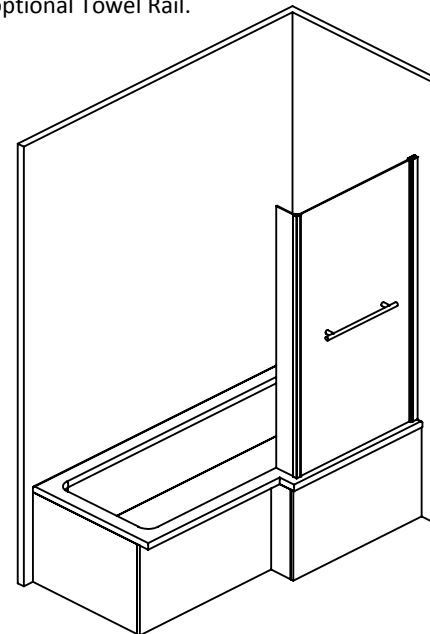
DO NOT OVER TIGHTEN



5. Siliconing

Finally silicone both glass panels (4&5), corner post (1) and wall profile (2) on the outside of the bath at the point where they meet the bath and the wall.

Fit optional Towel Rail.



Aftercare - Ensure you clean your product using a mild detergent diluted in water, removing any residue with a soft damp cloth.

Maintenance - Ensure moving parts are free from any debris or soap build up.