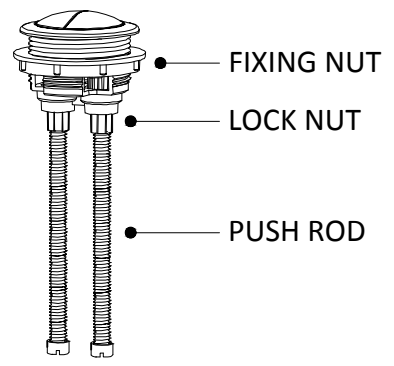


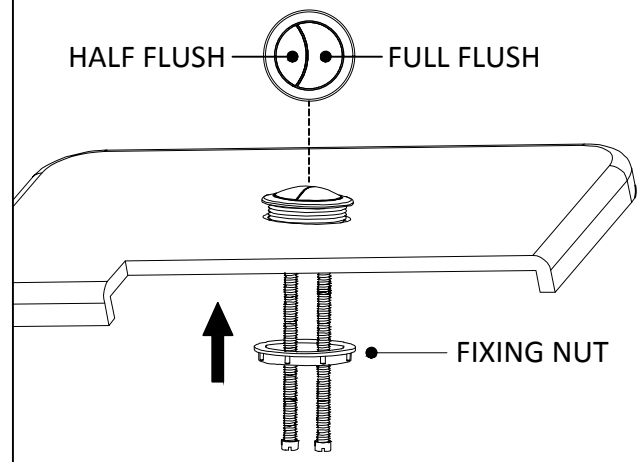
1

Take off the fixing nut.  
Screw the lock nut into position



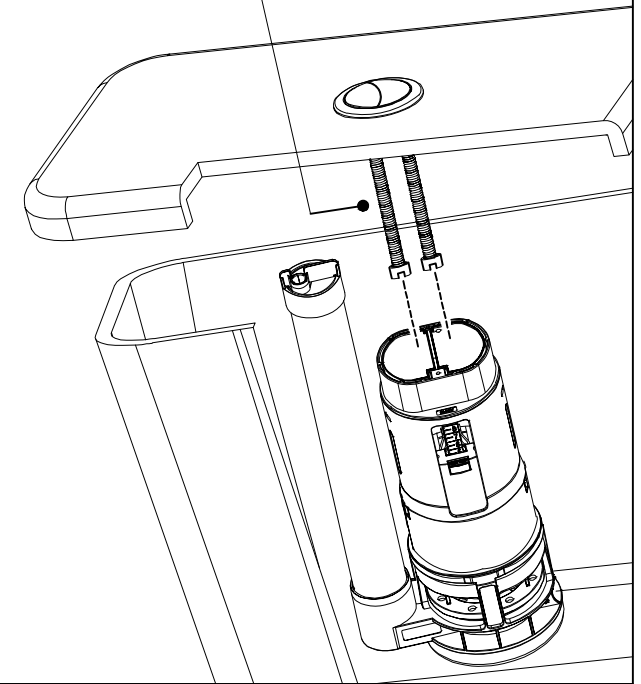
2

Install the dual flush button onto the cistern lid, and tighten the fixing nut.



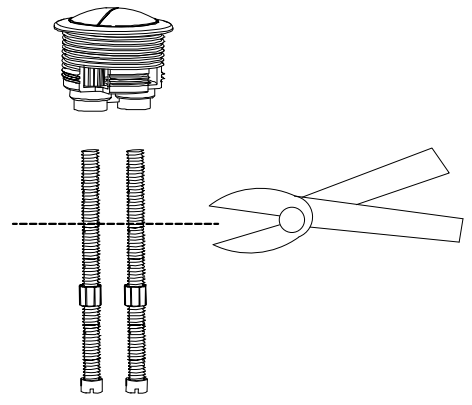
3

TOO LONG



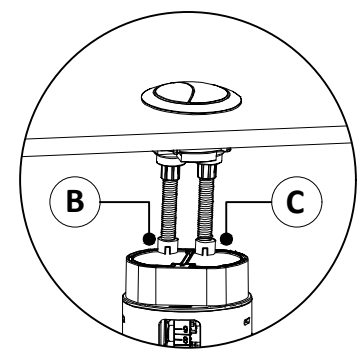
4

Loosen the lock nuts, and unscrew the push rods.  
Cut rods to required length.



5

Adjust the length of 'A' by turning the push rod, and remember to tighten the lock nut after finishing the adjustment of the push rod. The final position should be that the push rods just come into contact with the flush valve, but should not push down onto it unless the button is activated.



B - HALF FLUSH BUTTON  
C - FULL FLUSH BUTTON

