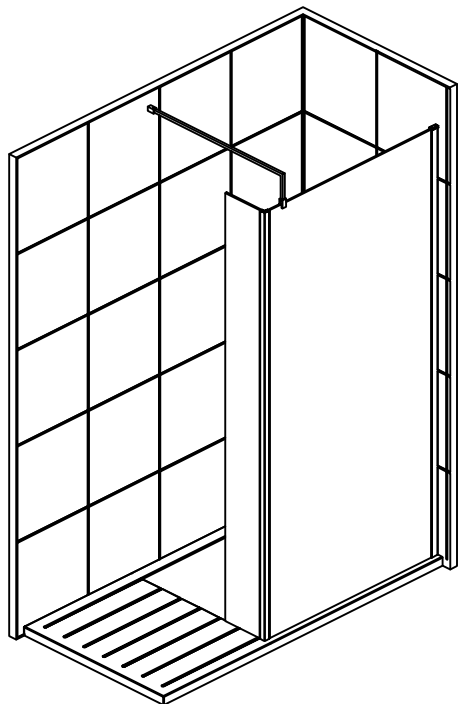
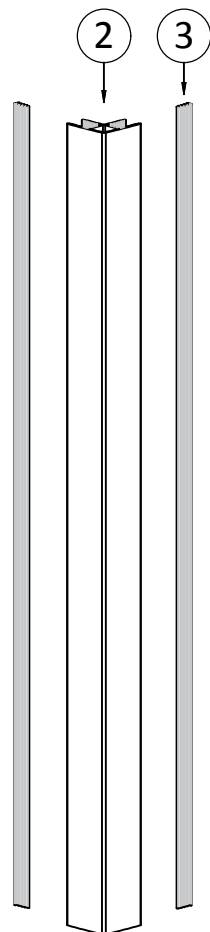


# WETROOM SCREEN RETURN PANEL INSTRUCTION



	ITEM	DESCRIPTION	QTY
PACK 1	1	GLASS	1
	2	CORNER PROFILE	1
	3	'V' SEALS	2



UNPACK THE BOX AND ENSURE ALL COMPONENTS ARE PRESENT.

THE TOUGHENED SAFETY GLASS IS MANUFACTURED TO SPECIFICATION EN12150-1 AND SHOULD BE HANDLED WITH CARE AS IMPACTS CAN DAMAGE THE GLASS AND CAUSE IT TO FAIL AT A LATER DATE.

NO REFUNDS OR REFITTING COST WILL BE GIVEN IF INCOMPLETE OR DAMAGED GOODS ARE FITTED.

FIT THE SHOWER TRAY AS PER THE MANUFACTURERS INSTRUCTIONS. IF YOU HAVE PURCHASED THE 'FRAMED' OR 'ABSTRACT' SCREENS, ENSURE THAT THE PATTERNED FEATURE IS TO THE OUTSIDE OF THE ENCLOSURE.

NOTE! IF THE TRAY ISN'T TRUE AND LEVEL, IT MUST BE RECTIFIED BEFORE SILICONING AROUND THE TOP EDGE OF THE TRAY WHERE IT MEETS THE TILES. ALLOW THE SILICONE TO DRY BEFORE FITTING THE ENCLOSURE.

## TOOLS REQUIRED:

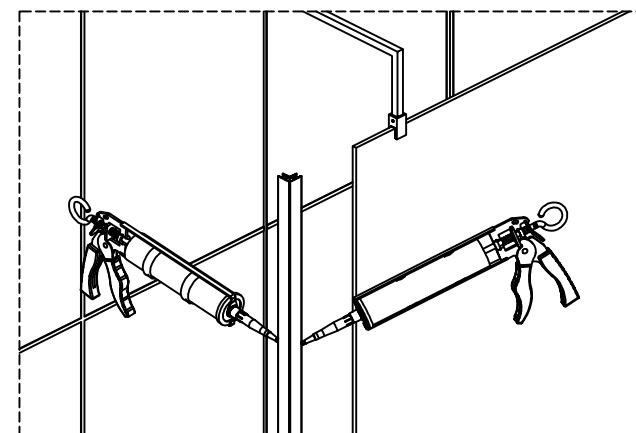
SILICONE GUN  
SANITARY GRADE SEALANT  
SPIRIT LEVEL

### 1

TO FIX THE OPTIONAL RETURN PANEL INTO PLACE, FIRSTLY RUN A SMALL BEAD OF SILICONE DOWN THE INSIDE OF EACH RECESS IN THE CORNER POST (1) STOPPING 5mm SHORT AT EITHER END.

THEN SLOT THE CORNER POST ON TO THE END OF THE MAIN SCREEN. SLIDE THE RETURN PANEL INTO THE OPPOSING RECESS, FULLY HOME IS IDEAL.

WIPE OFF ANY EXCESS SILICONE.



### 2

FINALLY FIT THE 2 WEDGE SEALS (3) INTO THE CORNER POST AS SHOWN ABOVE. STARTING AT THE BOTTOM, PUSH THE SEAL ALONG THE LENGTH OF THE PROFILE. A WOODEN BLOCK CAN BE USED TO AID FITTING. TRIM OFF ANY SURPLUS SEAL AT THE TOP SO ITS EVEN WITH THE PROFILE.

NOTE : ALLOW THE SILICONE AT LEAST 24 HOURS TO FULLY CURE BEFORE USE.

AFTERCARE - ENSURE YOU CLEAN YOUR PRODUCT USING A MILD DETERGENT DILUTED IN WATER, REMOVING ANY RESIDUE WITH A SOFT DAMP CLOTH.

MAINTENANCE - ENSURE PARTS ARE FREE FROM ANY DEBRIS OR SOAP BUILD UP.

