

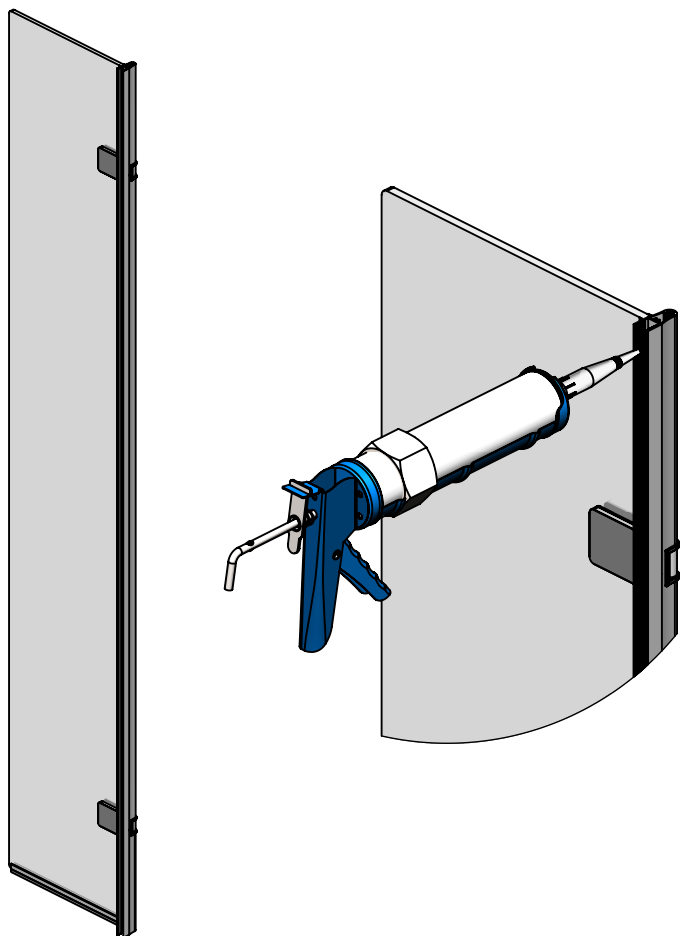
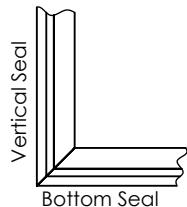
# WETROOM SWING PANEL INSTRUCTION

## SEAL CUT LENGTHS

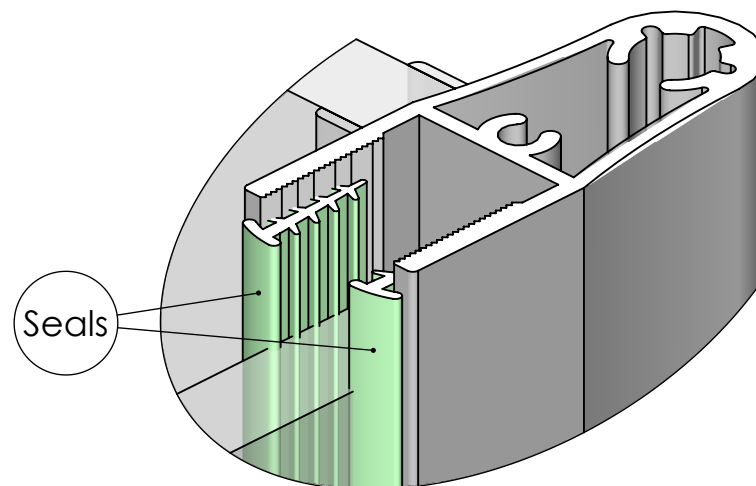
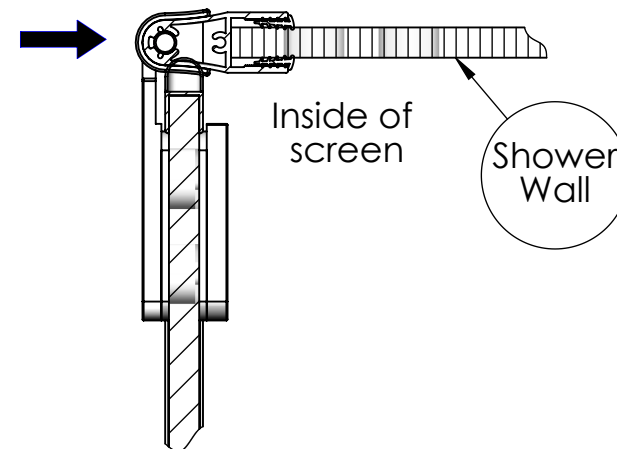
Bottom Seal - Cut to 304mm.

Vertical Seal - Cut to 1842mm for an 1850 Enclosure.  
Cut to 1942mm for a 1950 Enclosure.

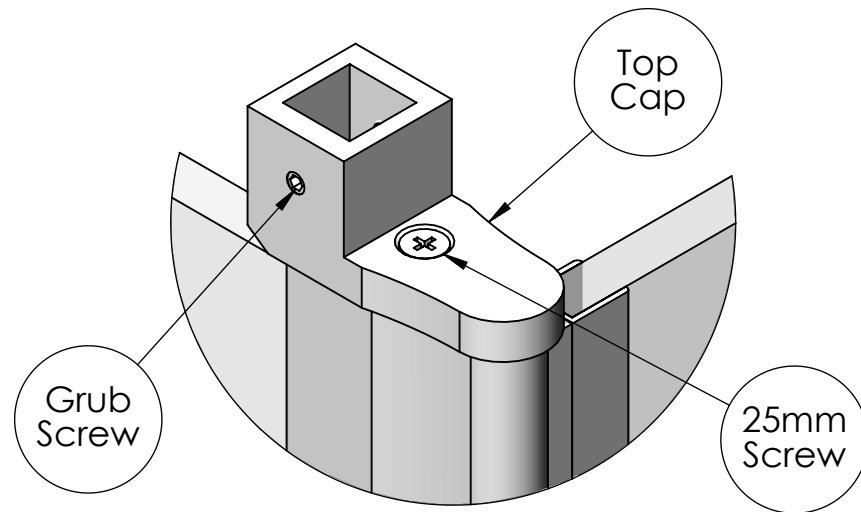
Seals should mitre as indicated to the right.



1. Clean glass edges of existing shower wall.
2. Run a 3mm bead of silicone down the inside of the swing panel profile, as shown.



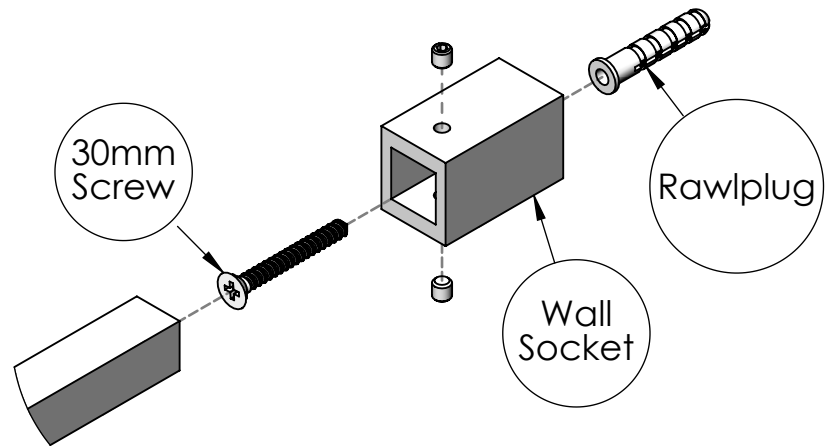
3. Fit swing panel onto end of the shower wall.
4. Insert the 2 seals provided as shown above for an 8mm shower wall. For a 10mm shower wall use one seal on the inside of the enclosure.



Grub Screw

Top Cap

25mm Screw

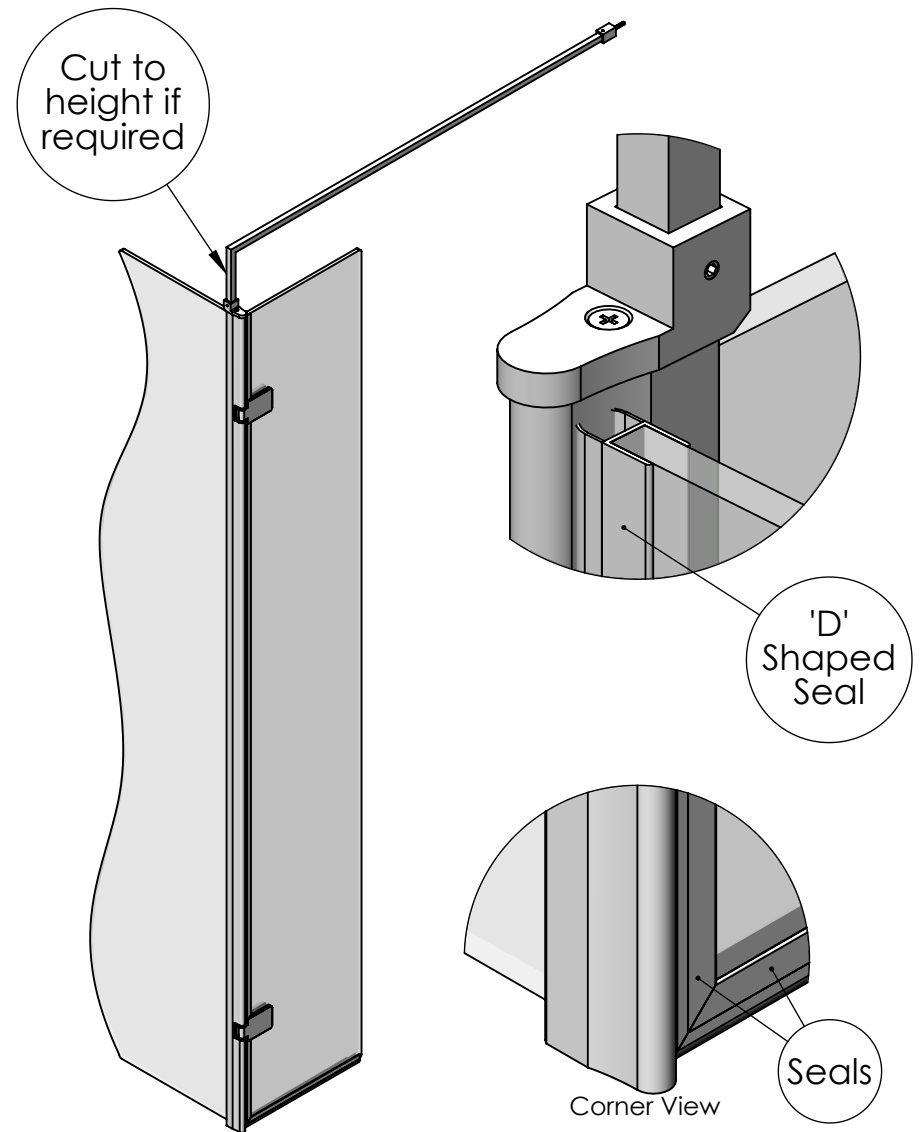


30mm Screw

Rawlplug

Wall Socket

5. Fit top cap to profile as shown above.
6. Attach top support bar to the wall using fittings supplied. (In direction shown).
7. Cut top support bar to required length.



Cut to height if required

'D' Shaped Seal

Seals

Corner View

8. Fit 'D' shaped seal to hinge glass ensuring it seals on to the aluminium profile.
- NOTE: Ensure all screws are tight and secure.  
Do not use the enclosure for 24hr to allow silicone to cure.